

## FEIN universal screwdrivers for interior work.

FEIN universal screwdrivers – particularly suitable for interior work and renovation. With adjustable torque and adjustable clutch for optimum results in wood or metal. The driving depth can be accurately adjusted for hard and soft applications using the depth stop accessories. The excellent ergonomic shape lets you work comfortably and without fatigue. The powerful motors successfully finish off any screwdriving operation. In combination with the selectable fixed torque, also suitable for more challenging work with dowel screws or occasional drilling with drill bits. The infinitely variable electronic speed control gives you the sensitivity you need. Perfect results every time with the quality that is synonymous with FEIN power tools.





## Universal Screwdriver up to 6 mm

### ASse 636

Screwdriver for interior assembly work.

Technical data		
Model	ASse 636	
Input	W	230
Output	W	125
Speed, full load	R.P.M	0-450
Speed, no load	R.P.M	0-800
Max. torque	Nm	12
Cable with plug	m	5
Weight	kg	1,6
Wood screw Ø	mm	6
Fastening		M 6
Chuck	mm	7
<b>Order Reference</b>	<b>7 210 71</b>	

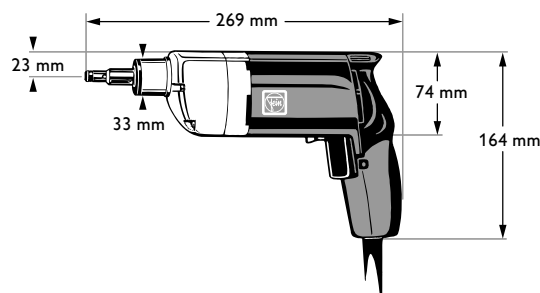
#### Included in price

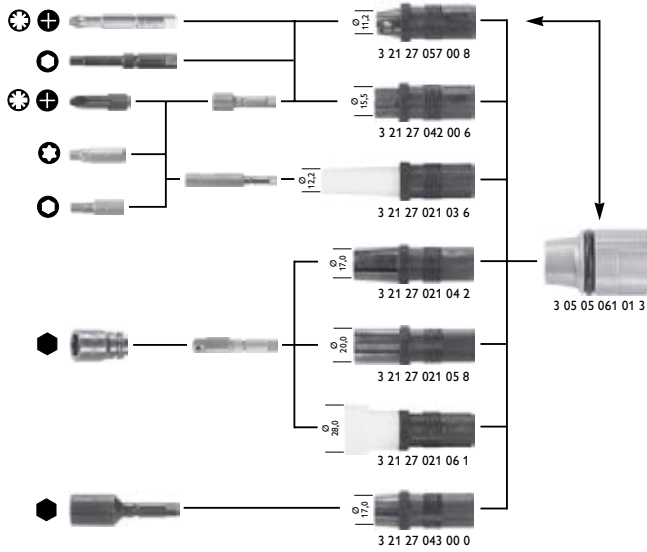
1 bit for Phillips screws size 2 Pozidriv (Form Z), 1 Allen key

#### FEIN BENEFITS

- ▶ Powerful motor completes any screwdriving operation.
- ▶ Adjustable, power-sensitive FEIN universal clutch provides the right torque for any screwdriving operation.
- ▶ Infinitely variable electronic speed control for sensitive screwdriving.
- ▶ FEIN Kinetik handle.
- ▶ Integral switch with toggle switch for forward/reverse rotation.
- ▶ Depth stop accessory for precise screw depth settings also available.
- ▶ Available only in 230V

For accessories, see page 93





**Depth stops**

Whenever the situation allows, the benefits of a depth stop (consisting of a sleeve socket assembly along with a choice of a stop sleeve) should be taken advantage of: exact setting of the driving depth, steady and even rows of screws, no thread stripping or wringing of screws, reduced tool wear.

**General accessories**

**tool case**

Plastic, 450 x 310 x 135 mm



Order Reference 3 39 01 118 01 0

**Plastic box**

Box insert with lockable lid for small parts and accessories, suitable for tool box 3 39 01 118 01 0, max 5 items/box.



Order Reference 3 39 01 119 00 0

**Tool Kit**

consisting of: 1 quick-change chuck with 7 mm Ø round receiver and 9 different bits 1/4" for Phillips and slotted screws

Order Reference 6 01 10 008 03 9

**Tools Ø 7 mm with external flat**

for hexagon socket screws extra hard



SW	Ø mm	L mm	Order Reference
8	14	50	6 01 05 108 00 0
3/8"	15	50	6 01 05 110 00 6
10	15	50	6 01 05 109 00 4

**Extension Ø 7 mm with external flat**

for bits Ø 7 mm with external flat



Ø mm	L mm	Order Reference
11,8	165	6 01 13 005 02 2

**Tool holder Ø 7 mm with external flat**

1/4" Drive-Hex Socket with spring washer



Ø mm	L mm	Order Reference
11	39	6 01 10 004 01 8

**Quick-action chuck**



Ø mm	L mm	Order Reference
15	51	6 01 10 008 01 7

**quick-change chuck, magnetic**

Ø mm	L mm	Order Reference
15	77	6 01 10 209 01 6

**Bits 1/4 Hex socket**

for cross-slotted screws as per DIN 7962

Form H/Phillips (pack of 5)



Size	L mm	Order Reference
1	25	6 27 12 008 01 9
2	25	6 27 12 009 01 3
3	25	6 27 12 010 01 5

**Form Z/Pozidriv (pack of 5)**



Size	L mm	Order Reference
1	25	6 27 12 011 01 4
2	25	6 27 12 012 01 7
3	25	6 27 12 013 01 1

**for hexagon socket screws**



SW	Size	L mm	Order Reference
2,5	M 3	25	6 27 12 017 00 1
3	M 4	25	6 27 12 018 00 9
4	M 5	25	6 27 12 019 00 3
5	M 6	25	6 27 12 020 00 5
6	M 8	25	6 27 12 021 00 4

**for Torx socket screws**



Size	L mm	Order Reference
TX 10	26	6 27 12 026 00 6
TX 15	26	6 27 12 027 00 0
TX 20	26	6 27 12 028 00 8
TX 25	26	6 27 12 029 00 2
TX 30	26	6 27 12 031 00 3

**Shaft Ø 7 mm with external flat**

Output 1/4" square socket



L mm	Order Reference
50	6 01 13 001 00 8
75	6 01 13 004 00 3
100	6 01 13 002 00 1

**Suspension Device**

for hooking onto a balancer horizontal and vertical

Order Reference 3 21 25 050 00 7

**Balancer**

Detailed information on the FEIN Balancers can be found in the chapter Accessories / Balancers.



**Spiral cordset**

for electric tools with mains connection cables of quality HO 5 RN-F 2x1.



Order Reference 3 07 07 157 01 3



## Universal Screwdriver up to 8 mm

### SCU 7-9

Powerful screwdriver for interior work and industry.

Technical data		
Model	SCU 7-9	
Input	W	400
Output	W	210
Speed, full load	R.P.M	0-600
Speed, no load	R.P.M	0-900
Max. torque via clutch	Nm	18
Max. torque with fixed drive	Nm	28
Cable with plug	m	5
Weight	kg	1,6
Dowel Ø	mm	12
Screw Ø	mm	8
Chuck		1/4"
<b>Order Reference</b>	<b>7 210 94</b>	

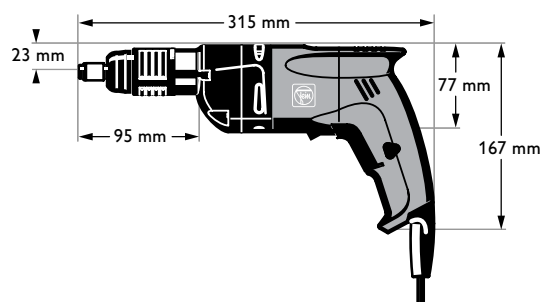
#### Included in price

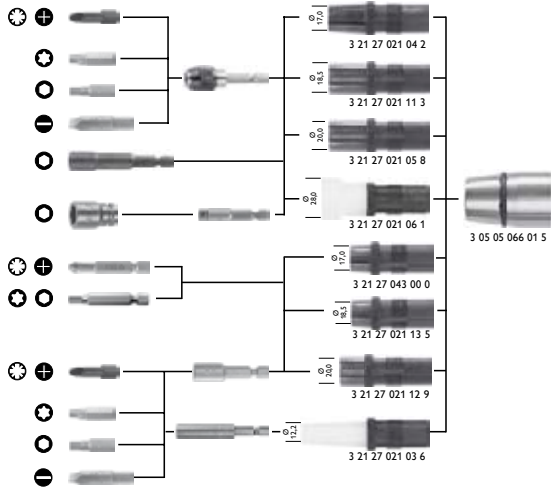
1 bit for Phillips screws size 2 Pozidriv (Form Z), 1 additional handle

#### FEIN BENEFITS

- ▶ High performance HIGH-POWER MOTOR powerfully finishes off any screwdriving operation.
- ▶ Adjustable, power-sensitive FEIN universal clutch provides the right torque for any screwdriving operation.
- ▶ Selectable fixed torque for working with dowel screws and using drill bits.
- ▶ Infinitely variable electronic speed setting.
- ▶ Excellent ergonomics.
- ▶ Integral switch with toggle switch for forward/reverse rotation.
- ▶ Depth stop accessory for precise screw depth settings also available.

For accessories, see page 95





**General accessories**

**tool case**

Plastic, 450 x 310 x 135 mm



Order Reference 3 39 01 118 01 0

**Plastic box**

Box insert with lockable lid for small parts and accessories, suitable for tool box 3 39 01 118 01 0, max 5 items/box.



Order Reference 3 39 01 119 00 0

**Bits 1/4" for hexagon socket screws for hexagon socket screws short model**



SW	Ø	L	Order Reference
	mm	mm	
8	14	50	6 05 05 015 00 1

**Tool holder 1/4" external hexagon 1/4" Drive-Hex Socket with spring washer**

Ø	L	Order Reference
mm	mm	
11	42	6 05 10 004 00 5

**with spring washer, magnetic**

Ø	L	Order Reference
mm	mm	
10,6	45	6 05 10 215 00 3
11	50	6 05 10 211 00 4
11	73	6 05 10 201 00 5

**with quick-change chuck**



Ø	L	Order Reference
mm	mm	
15	51	6 05 10 011 00 9

**Depth stops**

Whenever the situation allows, the benefits of a depth stop (consisting of a sleeve socket assembly along with a choice of a stop sleeve) should be taken advantage of: exact setting of the driving depth, steady and even rows of screws, no thread stripping or wringing of screws, reduced tool wear.

**Bits 1/4 Hex socket**

for cross-slotted screws as per DIN 7962 Form H/Phillips (pack of 5)



Size	L	Order Reference
	mm	
1	25	6 27 12 008 01 9
2	25	6 27 12 009 01 3
3	25	6 27 12 010 01 5
2	50	6 27 12 509 01 6

**Form Z/Pozidriv (pack of 5)**



Size	L	Order Reference
	mm	
1	25	6 27 12 011 01 4
2	25	6 27 12 012 01 7
3	25	6 27 12 013 01 1

**for hexagon socket screws**



SW	Size	L	Order Reference
		mm	
2,5	M 3	25	6 27 12 017 00 1
3	M 4	25	6 27 12 018 00 9
4	M 5	25	6 27 12 019 00 3
5	M 6	25	6 27 12 020 00 5
6	M 8	25	6 27 12 021 00 4

**for Torx socket screws**



Size	L	Order Reference
	mm	
TX 10	26	6 27 12 026 00 6
TX 15	26	6 27 12 027 00 0
TX 20	26	6 27 12 028 00 8
TX 25	26	6 27 12 029 00 2
TX 30	26	6 27 12 031 00 3
TX 40	26	6 27 12 032 00 6

**Shaft 1/4" external hexagon**

Output 1/4" square socket



L	Order Reference
mm	
50	6 05 13 001 00 4

**Suspension**

for belt and balancer

Order Reference	6 39 01 013 01 2
-----------------	------------------

**Balancer**



Detailed information on the FEIN Balancers can be found in the chapter Accessories / Balancers.



## Two-Speed Universal Screwdriver up to 8 mm

### DSse 642

Powerful screwdriver for wood and self-drilling screws.

Technical data		
Model	DSse 642	
Input	W	600
Output	W	300
Speed, full load	R.P.M	0-600/0-1800
Speed, no load	R.P.M	0-900/0-2650
max. torque for hard screwdriving operation, approx.	Nm	30
Cable with plug	m	5
Weight	kg	2,7
Wood screw Ø	mm	8
Fastening		M 8
Self-drilling screw Ø	mm	8
Chuck		5/16"
<b>Order Reference</b>	<b>7 210 58</b>	

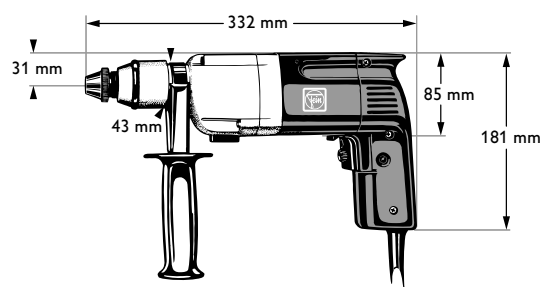
#### Included in price

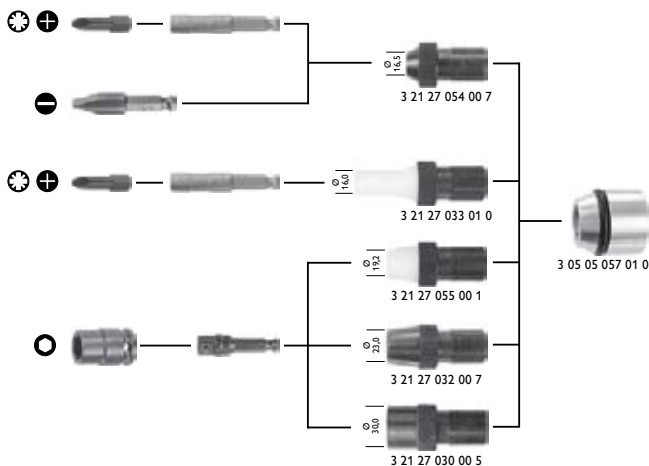
1 depth stop, 1 holder for bits 1/4", 1 bit for cross-slotted screws size 2 / Phillips (form H), 1 additional handle, 1 Allen key

#### FEIN BENEFITS

- ▶ Two-speed screwdriver with adjustable speeds for any screwdriving operation.
- ▶ Powerful motor completes any screwdriving operation.
- ▶ Adjustable, power-sensitive FEIN universal clutch provides the right torque for any screwdriving operation.
- ▶ Infinitely variable electronic speed setting.
- ▶ Integral switch with toggle switch for forward/reverse rotation.
- ▶ Depth stop accessory for precise screw depth settings also available.
- ▶ Available only in 230V

For accessories, see page 97





**Depth stops**

Whenever the situation allows, the benefits of a depth stop (consisting of a sleeve socket assembly along with a choice of a stop sleeve) should be taken advantage of: exact setting of the driving depth, steady and even rows of screws, no thread stripping or wringing of screws, reduced tool wear.

**General accessories**

**tool case**

Plastic, 450 x 310 x 135 mm



Order Reference 3 39 01 118 01 0

**Plastic box**

Box insert with lockable lid for small parts and accessories, suitable for tool box 3 39 01 118 01 0, max 5 items/box.



Order Reference 3 39 01 119 00 0

**Tool holder 5/16" hexagon head**

Output 1/4" hexagon socket with spring washer



L mm	Order Reference
42	6 06 10 001 00 9
61	6 06 10 002 00 2

**Bits 1/4 Hex socket**

for cross-slotted screws as per DIN 7962

Form H/Phillips (pack of 5) extra hard



Size	L mm	Order Reference
2	25	6 27 12 109 02 8
3	25	6 27 12 110 02 0
4	32	6 27 12 116 02 1

Form H/Phillips (pack of 5)



Size	L mm	Order Reference
2	50	6 27 12 509 01 6

Form Z/Pozidriv (pack of 5) extra hard



Size	L mm	Order Reference
2	25	6 27 12 112 02 2
3	25	6 27 12 113 02 6
4	32	6 27 12 114 02 4

for hexagon socket screws



SW	Size	L mm	Order Reference
2,5	M 3	25	6 27 12 017 00 1
3	M 4	25	6 27 12 018 00 9
4	M 5	25	6 27 12 019 00 3
5	M 6	25	6 27 12 020 00 5
6	M 8	25	6 27 12 021 00 4

for Torx socket screws



Size	L mm	Order Reference
TX 10	26	6 27 12 026 00 6
TX 15	26	6 27 12 027 00 0
TX 20	26	6 27 12 028 00 8
TX 25	26	6 27 12 029 00 2
TX 30	26	6 27 12 031 00 3

**Shaft 5/16" hexagonal head**

Output 3/8" square head



L mm	Order Reference
50	6 06 13 001 00 3

**Hexagon socket tools for shank**

Adaptor 3/8" square socket



SW	Ø mm	L mm	Order Reference
8	13,5	34	6 21 05 003 00 9
10	16	34	6 21 05 005 00 1
13	19,5	34	6 21 05 008 00 6

**Balancer**

Detailed information on the FEIN Balancers can be found in the chapter Accessories / Balancers.



**Suspension Device**

for hooking onto a balancer horizontal

Order Reference 3 21 25 040 00 8

**Spiral cordset**

for electric tools with mains connection cables of quality HO 5 RN-F 2x1.



Order Reference 3 07 07 157 01 3