

FEIN SUPERCUT CONSTRUCTION – all the power and load handling you need.

FEIN SUPERCUT CONSTRUCTION, the powerful system for interior construction and renovation, is the power tool of choice for all professionals in the specified trades. The high-performance 400 W HIGH-POWER MOTOR and the durable gearbox are designed to stand up to the toughest use. With its higher motor rating and a stronger oscillating motion, the FEIN SUPERCUT CONSTRUCTION helps you achieve maximum progress and therefore enormous savings in terms of time and cost. The powerful system for interior construction and renovation is available in 4 different sets: for glaziers / window installers, carpenters / interior fitters, tilers / plumbers and grouting renewers. The contents

of each set are carefully selected for the requirements and tasks of the particular trade.





FEIN SUPERCUT CONSTRUCTION



High-performance system for interior work and renovation

FSC 2.0 – Professional set Glaziers / window installers

Powerful system for interior construction and renovation - Professional set for glaziers / window installers

Technical data

Model	FSC 2.0	
Input	W	400
Output	W	220
Oscillations	R.P.M	11 000-18 500
Cable with plug	m	5
Weight	kg	1,25
Order Reference	7 236 32 51	

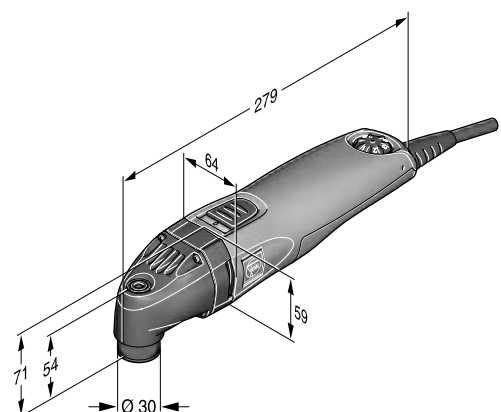
Included in price

1 FEIN SUPERCUT CONSTRUCTION in a plastic tool case, 1 HSS saw blade, cropped, Ø 100 mm, 1 E-Cut saw blade standard (form 124), 1 each E-Cut universal saw blades (form 147, 148), 1 depth stop, 1 Adapter, 1 sanding pad, 5 Sanding sheets each grit size (K 80, 120, 180), 1 Segment blade, toothed, 1 Cutter blade, mushroom shaped, 1 key

FEIN BENEFITS

- ▶ Optimally compiled set for glaziers / window installers, ideal for renovating putty-mounted insulation windows
- ▶ Maximum quality and stability thanks to the use of ball / needle roller bearings and a motor and gearbox designed for continuous use and high load.
- ▶ Powerful oscillating motion (amplitude 2 x 2.0 degrees) for maximum work progress.
- ▶ Extracting of old window frames without damaging the walls or the plaster
- ▶ Repair of the insulation windows without breaking the old panes
- ▶ Hexagonal tool mounting for excellent transfer of torque between machine and tool
- ▶ Cuts time required by up to 80%

For accessories, see page 218 - 222



FEIN SUPERCUT CONSTRUCTION



High-performance system for interior work and renovation

FSC 2.0 – Professional set Carpenters / interior fitters

Powerful system for interior construction and renovation - Professional set for carpenters / interior fitters

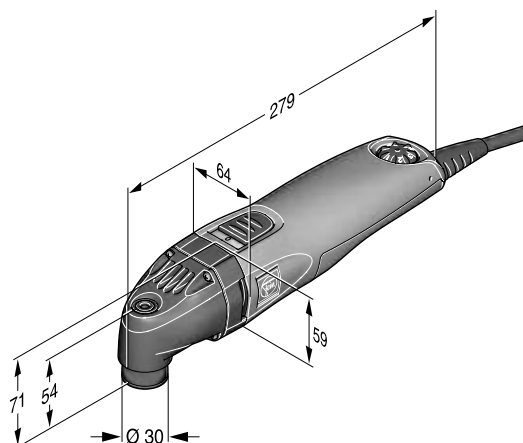
Technical data		
Model	FSC 2.0	
Input	W	400
Output	W	220
Oscillations	R.P.M	11 000-18 500
Cable with plug	m	5
Weight	kg	1,25
Order Reference	7 236 32 52	

Included in price
 1 FEIN SUPERCUT CONSTRUCTION in a plastic tool case, 4 E-Cut standard saw blades (form 123, 124, 135, 136), 4 E-Cut precision saw blades (form 119, 120, 121, 122), 1 each E-Cut universal saw blade (form 147, 148), 1 depth stop, 1 Adapter, 1 sanding pad, 5 Sanding sheets each grit size (K 80, 120, 180), 1 key

FEIN BENEFITS

- ▶ Optimally compiled set for carpenters / interior fitters, ideal for construction and sawing work, even in hard-to-reach places.
- ▶ Maximum quality and stability thanks to the use of ball / needle roller bearings and a motor and gearbox designed for continuous use and high load.
- ▶ Brings speed to every construction site
- ▶ Hexagonal tool mounting for excellent transfer of torque between machine and tool
- ▶ Powerful oscillating motion for maximum work progress
- ▶ Can also be converted to a delta sander

For accessories, see page 218 - 222



FEIN SUPERCUT CONSTRUCTION



High-performance system for interior work and renovation

FSC 2.0 – Professional set Tilers

Powerful system for interior construction and renovation - Professional set for tilers

Technical data		
Model	FSC 2.0	
Input	W	400
Output	W	220
Oscillations	R.P.M	11 000-18 500
Cable with plug	m	5
Weight	kg	1,25
Order Reference	7 236 32 53	

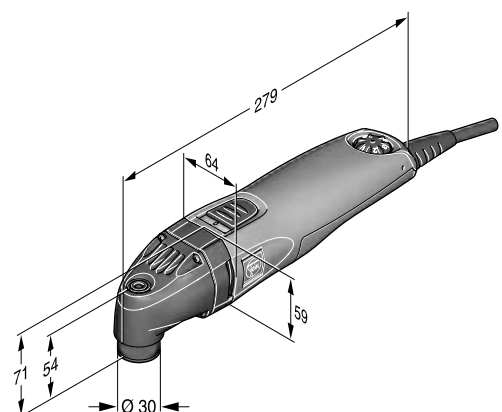
Included in price

1 FEIN SUPERCUT CONSTRUCTION in a plastic tool case, 1 Segment blade, diamond-coated, (form 162), 1 Cutter blade, mushroom shaped, 1 Stopper knife, 1 each E-Cut universal saw blade (form 147, 148), 1 Adapter, 2 Rasps, carbide-coated, triangular, perforated for dust extractor, 1 key

FEIN BENEFITS

- ▶ Optimally compiled set for tilers / installers, ideal for replacing individual damaged tiles or replacing all the tile joints in a larger area.
- ▶ Maximum quality and stability thanks to the use of ball / needle roller bearings and a motor and gearbox designed for continuous use and high load.
- ▶ Also ideal for all fitting work
- ▶ Hexagonal tool mounting for excellent transfer of torque between machine and tool
- ▶ Minimal dirt and dust
- ▶ Powerful oscillating motion (amplitude 2 x 2.0 degrees) for maximum work progress

For accessories, see page 218 - 222



FEIN SUPERCUT CONSTRUCTION



High-performance system for interior work and renovation

FSC 2.0 – Professional set Grouting renewers

Powerful system for interior construction and renovation - Professional set for grouting renewers

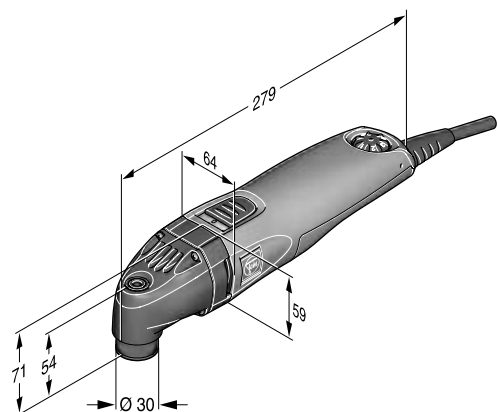
Technical data		
Model	FSC 2.0	
Input	W	400
Output	W	220
Oscillations	R.P.M	11 000-18 500
Cable with plug	m	5
Weight	kg	1,25
Order Reference	7 236 32 54	

Included in price
 1 FEIN SUPERCUT CONSTRUCTION in a plastic tool case, 1 Vibration-attenuating bail handle, 1 Extractor hood, 5 Cutter blades, straight (form 117), 1 Cutter blade, straight, long (form 116), 2 Cleaning knives, diamond-coated, straight (form 161), 1 key

FEIN BENEFITS

- ▶ Optimally compiled set for grouting renewers, ideal for removing damaged acrylic or silicone expansion grouts from concrete facades, for sealant removal externally and internally.
- ▶ Maximum quality and stability thanks to the use of ball / needle roller bearings and a motor and gearbox designed for continuous use and high load.
- ▶ Also suitable for renovating grouting materials containing PCB when the appropriate protective measures are taken.
- ▶ Ergonomic design for fatigue-free working
- ▶ Hexagonal tool mounting for excellent transfer of torque between machine and tool
- ▶ Powerful oscillating motion (amplitude 2 x 2.0 degrees) for maximum work progress
- ▶ Vibration-attenuating bail handle for minimising physical fatigue
- ▶ Dust extraction device, attachable without tools

For accessories, see page 218 - 222





FEIN SUPERCUT CONSTRUCTION



High-performance system for interior work and renovation

FSC 2.0

Powerful system for interior construction and renovation - SUPERCUT CONSTRUCTION

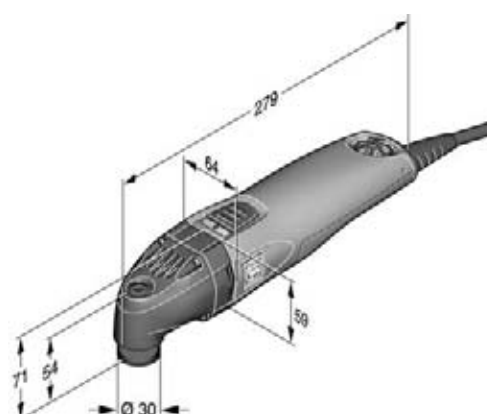
Technical data		
Model	FSC 2.0	
Input	W	400
Output	W	220
Oscillations	R.P.M	11 000-18 500
Cable with plug	m	5
Weight	kg	1,25
Order Reference	7 236 32 50	

Included in price
 1 FEIN SUPERCUT CONSTRUCTION in a plastic tool case, 1 Mounting bolt (3 30 01 039 01 7), 1 Wrench (6 29 07 037 00 3)

FEIN BENEFITS

- ▶ FEIN SUPERCUT CONSTRUCTION FSC 2.0 machine in plastic case with clamping screw and key, wide range of accessories available.
- ▶ Maximum quality and stability thanks to the use of ball / needle roller bearings and a motor and gearbox designed for continuous use and high load.
- ▶ Amplitude 2 x 2.0 degrees
- ▶ Electronic speed control
- ▶ HIGH POWER MOTOR for outstanding performance

For accessories, see page 218 - 222



Oscillating

Accessory set for glaziers / window installers

E-Cut standard saw blades

Crossed toothing for all wood, plasterboard, and plastics jobs.

Length 78 mm



Width No. in pack		Order Reference
mm	pcs	
32	1	6 35 02 123 01 8
32	5	6 35 02 123 04 6
32	25	6 35 02 123 03 0

Length 78 mm



Width No. in pack		Order Reference
mm	pcs	
42	1	6 35 02 124 01 6
42	5	6 35 02 124 04 4
42	25	6 35 02 124 03 8

Length 50 mm



Width No. in pack		Order Reference
mm	pcs	
35	1	6 35 02 135 01 9
35	5	6 35 02 135 03 1
35	25	6 35 02 135 02 5

Length 50 mm



Width No. in pack		Order Reference
mm	pcs	
65	1	6 35 02 136 01 2
65	5	6 35 02 136 03 4
65	25	6 35 02 136 02 8

E-Cut precision saw blades

Double-row original Japan toothing, for top-precision cuts, and clean cutting edges even freely by hand

Length 50 mm



Width No. in pack		Order Reference
mm	pcs	
35	1	6 35 02 119 01 0
35	5	6 35 02 119 04 8
35	25	6 35 02 119 03 2

Length 50 mm



Width No. in pack		Order Reference
mm	pcs	
45	1	6 35 02 120 01 2
45	5	6 35 02 120 04 0
45	25	6 35 02 120 03 4

Length 50 mm



Width No. in pack		Order Reference
mm	pcs	
55	1	6 35 02 121 01 1
55	5	6 35 02 121 04 9
55	25	6 35 02 121 03 3

Length 50 mm



Width No. in pack		Order Reference
mm	pcs	
65	1	6 35 02 122 01 4
65	5	6 35 02 122 04 2
65	25	6 35 02 122 03 6

E-Cut universal saw blades

Bi-metal teeth, cranked, also suitable for radii, high speed cut, sheet metal (400 N/mm²) up to about 2 mm and plastics, aluminium profiles, copper pipes, wood, plasterboard, and almost all plastics.

Length 60 mm



Width No. in pack		Order Reference
mm	pcs	
28	1	6 35 02 147 01 5
28	5	6 35 02 147 02 1
28	25	6 35 02 147 03 7

Length 60 mm



Width No. in pack		Order Reference
mm	pcs	
44	1	6 35 02 148 01 3
44	5	6 35 02 148 02 9
44	25	6 35 02 148 03 5

Depth stop



Order Reference	3 26 07 062 02 2
-----------------	------------------

M-Cut Saw Blade

For cuts, cut-outs, and grooves in sheet metal, plastics, fibreglass, and carbon fibre-reinforced plastic; 2-pack.



Width Length		Order Reference
mm	mm	
30	50	6 35 02 138 01 4

Saw blades

HSS saw blade

HSS, with fine teeth for precise cutting. Universal use on sheet metal of up to approx. 1 mm, also doubled, and plastics.



Ø		No. in pack		Order Reference
mm	pcs	mm	pcs	
63	2	63	2	6 35 02 102 01 6
63	5	63	5	6 35 02 102 07 0
80	2	80	2	6 35 02 103 01 0
80	5	80	5	6 35 02 103 05 0

HSS, cranked, countersunk clamping screw for flush working.



Ø		No. in pack		Order Reference
mm	pcs	mm	pcs	
85	1	85	1	6 35 02 145 01 8
85	5	85	5	6 35 02 145 02 0
100	1	100	1	6 35 02 137 01 6
100	5	100	5	6 35 02 137 02 0

Cutting paste

Lubricating agents for working on sheet metals.



Order Reference	3 21 32 020 12 9
-----------------	------------------

Circular knife

HSS, cranked for general cutting applications in leather, plastics foils, roofing cardboard, fly screens, etc. Pack of 1.



Ø	Order Reference
mm	
100	6 39 03 220 01 0

Cutting blade

Mushroom-shaped, pack of 5, For cutting elastic silicon or acrylic connecting joints.



Order Reference	6 39 03 128 01 2
-----------------	------------------

Segment saw blade

depressed, for removing panes of insulating glass installed on a putty bed, pack of 2



Order Reference	6 39 03 166 01 6
-----------------	------------------

adapter

Needed for fitting accessories with round adapters (e.g. for rasping, sanding, and polishing).

Order Reference	3 06 05 114 01 1
-----------------	------------------



Sanding pad set, unperforated

For sanding without extraction. 2-pack.



No. in pack	Order Reference
2	6 38 06 129 02 6

Sanding sheets

Unperforated, with Velcro attachment. For universal application on nearly all surfaces.

Grain	No. in pack	Order Reference
pcs		
36	5	6 37 17 086 04 8
40	5	6 37 17 081 04 6
60	5	6 37 17 082 04 9
80	5	6 37 17 083 04 3
100	5	6 37 17 084 04 1
120	5	6 37 17 085 04 5
150	5	6 37 17 087 04 2
180	5	6 37 17 088 04 0
220	5	6 37 17 089 04 4
240	5	6 37 17 090 04 6
280	5	6 37 17 091 04 5

36	50	6 37 17 086 01 0
40	50	6 37 17 081 01 8
60	50	6 37 17 082 01 1
80	50	6 37 17 083 01 5
100	50	6 37 17 084 01 3
120	50	6 37 17 085 01 7
150	50	6 37 17 087 01 4
180	50	6 37 17 088 01 2
220	50	6 37 17 089 01 6
240	50	6 37 17 090 01 8

Set of sanding sheets

For universal application on nearly all surfaces. Corundum abrasive grain and full resin bond guarantee high abrasion performance. Each with 10 sanding sheets, unperforated, with Velcro rapid attachment, grain 60, 80, 120, 180, 240.

Order Reference	6 37 17 082 03 3
-----------------	------------------

Stone sanding set

Universal application in the fields of stone processing and stone products. Consists of 5 of each sanding sheet grades, without holes, grit 40, 80, 120, 220, 320, 400, 600, 800, 1 sanding pad, without holes, with aluminium and plastic backing plate, 1 felt polishing pad.

Order Reference	6 38 06 129 06 7
-----------------	------------------

Stone sanding sheets

Special for processing natural and artificial stone. In 8 steps for rough to finishing sanding.

Grain	No. in pack	Order Reference
pcs		
40	50	6 37 17 120 01 4
80	50	6 37 17 121 01 3
120	50	6 37 17 122 01 6
220	50	6 37 17 123 01 0
320	50	6 37 17 124 01 8
400	50	6 37 17 125 01 2
600	50	6 37 17 175 01 7
800	50	6 37 17 176 01 0

Dust extraction set

For all sanding and rasping jobs with triangular sanding pad and carbide rasp. incl. 2 sanding pads, perforated; 5 of each type of sanding sheet, perforated, grit 60, 80, and 120; 1 extractor hood with suction tube; 2 hose nozzles for hose connection Ø 27 and 32 mm plus 2 adapters for connection to the most common domestic vacuum cleaners.



Order Reference	9 26 02 074 01 4
-----------------	------------------

Sanding pad set, perforated

For sanding with dust extractor. 2-pack.



No. in pack	Order Reference
2	6 38 06 136 02 9

Sanding sheets, perforated

For sanding with dust extractor. For universal application on nearly all surfaces. Corundum abrasive grain and full resin bond guarantee high abrasion performance. From grain 36 to 280.

Grain	No. in pack	Order Reference
pcs		
36	5	6 37 17 107 04 9
40	5	6 37 17 108 04 7
60	5	6 37 17 109 04 1
80	5	6 37 17 110 04 3
100	5	6 37 17 111 04 2
120	5	6 37 17 112 04 5
150	5	6 37 17 113 04 9
180	5	6 37 17 114 04 7
220	5	6 37 17 115 04 1
240	5	6 37 17 116 04 4

36	50	6 37 17 107 01 1
40	50	6 37 17 108 01 9
60	50	6 37 17 109 01 3
80	50	6 37 17 110 01 5
100	50	6 37 17 111 01 4
120	50	6 37 17 112 01 7
150	50	6 37 17 113 01 1
180	50	6 37 17 114 01 9
220	50	6 37 17 115 01 3
240	50	6 37 17 116 01 6

Set of sanding sheets

10 of each type of sanding sheet, perforated with Velcro rapid attachment, corundum, grit 60, 80, 120, 180, and 240.

Order Reference	6 37 17 109 03 5
-----------------	------------------

FEIN "Dustex" vacuum cleaner

Powerful wet and dry extractor for connecting power tools when working in the workshop and for assembly work.

You will find detailed information about the FEIN vacuum cleaner and "dust-free sanding" in the chapter on vacuum cleaners.



Carbide rasp, triangular carbide-coated

For rough sanding of filler, tile adhesives, concrete, stone and wood. For use with or without dust extractor.



Order Reference	6 37 31 001 01 4
-----------------	------------------

Carbide rasp, finger-shaped

For rough sanding of filler, tile adhesives, concrete, stone and wood. The finger shape, coated on both sides, is especially well suited for artistic work.



Order Reference	6 37 31 002 01 7
-----------------	------------------

Set of felt polishing pads

For polishing metal parts, as well as for polishing and decorative polishing of stone and stone products. Gelcoat layers on boats can also be polished. Pack of 2.



No. in pack	Order Reference
2	6 38 06 140 02 7

Burnishing compounds for the respective material are available from specialist retailers.

Set with depth stop

Round HSS saw blade for wood. The 'mini circular saw' is ideal for longer straight cuts, for example in laid parquet / laminate.

Order Reference	3 26 07 062 04 0
-----------------	------------------

HSS saw blade wood

Ø	Order Reference
100 mm	6 35 02 153 01 0

Accessories for carpenters / interior fitters

E-Cut standard saw blades

Crossed toothing for all wood, plasterboard, and plastics jobs. Length 78 mm



Width	No. in pack	Order Reference
32 mm	1	6 35 02 123 01 8
32	5	6 35 02 123 04 6
32	25	6 35 02 123 03 0

Length 78 mm



Width No. in pack

mm	pcs	Order Reference
42	1	6 35 02 124 01 6
42	5	6 35 02 124 04 4
42	25	6 35 02 124 03 8

Length 50 mm



Width No. in pack

mm	pcs	Order Reference
35	1	6 35 02 135 01 9
35	5	6 35 02 135 03 1
35	25	6 35 02 135 02 5

Length 50 mm



Width No. in pack

mm	pcs	Order Reference
65	1	6 35 02 136 01 2
65	5	6 35 02 136 03 4
65	25	6 35 02 136 02 8

E-Cut precision saw blades

Double-row original Japan toothing, for top-precision cuts, and clean cutting edges even freely by hand
Length 50 mm



Width No. in pack

mm	pcs	Order Reference
35	1	6 35 02 119 01 0
35	5	6 35 02 119 04 8
35	25	6 35 02 119 03 2

Length 50 mm



Width No. in pack

mm	pcs	Order Reference
45	1	6 35 02 120 01 2
45	5	6 35 02 120 04 0
45	25	6 35 02 120 03 4

Length 50 mm



Width No. in pack

mm	pcs	Order Reference
55	1	6 35 02 121 01 1
55	5	6 35 02 121 04 9
55	25	6 35 02 121 03 3

Length 50 mm



Width No. in pack

mm	pcs	Order Reference
65	1	6 35 02 122 01 4
65	5	6 35 02 122 04 2
65	25	6 35 02 122 03 6

E-Cut universal saw blades

Bi-metal teeth, cranked, also suitable for radii, high speed cut, sheet metal (400 N/mm²) up to about 2 mm and plastics, aluminium profiles, copper pipes, wood, plasterboard, and almost all plastics.

Length 60 mm



Width No. in pack

mm	pcs	Order Reference
28	1	6 35 02 147 01 5
28	5	6 35 02 147 02 1
28	25	6 35 02 147 03 7

Length 60 mm



Width No. in pack

mm	pcs	Order Reference
44	1	6 35 02 148 01 3
44	5	6 35 02 148 02 9
44	25	6 35 02 148 03 5

Depth stop

Depth stop suitable for all E-Cut saw blades and round, non-cranked saw blades 80-100 mm in diameter.



Order Reference	3 26 07 062 02 2
-----------------	------------------

M-Cut Saw Blade

For cuts, cut-outs, and grooves in sheet metal, plastics, fibreglass, and carbon fibre-reinforced plastic; 2-pack.



Width Length

mm	mm	Order Reference
30	50	6 35 02 138 01 4

Saw blades

HSS saw blade

HSS, with fine teeth for precise cutting. Universal use on sheet metal of up to approx. 1 mm, also doubled, and plastics.



Ø No. in pack

mm	pcs	Order Reference
63	2	6 35 02 102 01 6
63	5	6 35 02 102 07 0
80	2	6 35 02 103 01 0
80	5	6 35 02 103 05 0

HSS, cranked, countersunk clamping screw for flush working.



Ø No. in pack

mm	pcs	Order Reference
85	1	6 35 02 145 01 8
85	5	6 35 02 145 02 0
100	1	6 35 02 137 01 6
100	5	6 35 02 137 02 0

Cutting paste

Lubricating agents for working on sheet metals.

Order Reference	3 21 32 020 12 9
-----------------	------------------

Circular knife

HSS, cranked

for general cutting applications in leather, plastics foils, roofing cardboard, fly screens, etc. Pack of 1.



Ø

mm	Order Reference
100	6 39 03 220 01 0

Cutting blade

Mushroom-shaped, pack of 5, For cutting elastic silicon or acrylic connecting joints.



Order Reference	6 39 03 128 01 2
-----------------	------------------

Segment saw blade

depressed, for removing panes of insulating glass installed on a putty bed, pack of 2



Order Reference	6 39 03 166 01 6
-----------------	------------------

adapter

Needed for fitting accessories with round adapters (e.g. for rasping, sanding, and polishing).

Order Reference	3 06 05 114 01 1
-----------------	------------------

Sanding pad set, unperforated

For sanding without extraction. 2-pack.



No. in pack

pcs	Order Reference
2	6 38 06 129 02 6

Sanding sheets

Unperforated, with Velcro attachment. For universal application on nearly all surfaces.

Grain No. in pack

pcs	Order Reference
36 5	6 37 17 086 04 8
40 5	6 37 17 081 04 6
60 5	6 37 17 082 04 9
80 5	6 37 17 083 04 3
100 5	6 37 17 084 04 1
120 5	6 37 17 085 04 5
150 5	6 37 17 087 04 2
180 5	6 37 17 088 04 0
220 5	6 37 17 089 04 4
240 5	6 37 17 090 04 6
280 5	6 37 17 091 04 5

36 50	6 37 17 086 01 0
40 50	6 37 17 081 01 8
60 50	6 37 17 082 01 1
80 50	6 37 17 083 01 5
100 50	6 37 17 084 01 3
120 50	6 37 17 085 01 7
150 50	6 37 17 087 01 4
180 50	6 37 17 088 01 2
220 50	6 37 17 089 01 6
240 50	6 37 17 090 01 8

Set of sanding sheets

For universal application on nearly all surfaces. Corundum abrasive grain and full resin bond guarantee high abrasion performance. Each with 10 sanding sheets, unperforated, with Velcro rapid attachment, grain 60, 80, 120, 180, 240.

Order Reference 6 37 17 082 03 3

Stone sanding set

Universal application in the fields of stone processing and stone products. Consists of 5 of each sanding sheet grades, without holes, grit 40, 80, 120, 220, 320, 400, 600, 800, 1 sanding pad, without holes, with aluminium and plastic backing plate, 1 felt polishing pad.

Order Reference 6 38 06 129 06 7

Stone sanding sheets

Special for processing natural and artificial stone. In 8 steps for rough to finishing sanding.

Grain	No. in pack	Order Reference
	pcs	
40	50	6 37 17 120 01 4
80	50	6 37 17 121 01 3
120	50	6 37 17 122 01 6
220	50	6 37 17 123 01 0
320	50	6 37 17 124 01 8
400	50	6 37 17 125 01 2
600	50	6 37 17 175 01 7
800	50	6 37 17 176 01 0

Dust extraction set

For all sanding and rasping jobs with triangular sanding pad and carbide rasp. incl. 2 sanding pads, perforated; 5 of each type of sanding sheet, perforated, grit 60, 80, and 120; 1 extractor hood with suction tube; 2 hose nozzles for hose connection Ø 27 and 32 mm plus 2 adapters for connection to the most common domestic vacuum cleaners.



Order Reference 9 26 02 074 01 4

Sanding pad set, perforated

For sanding with dust extractor. 2-pack.



No. in pack	Order Reference
pcs	
2	6 38 06 136 02 9

Sanding sheets, perforated

For sanding with dust extractor. For universal application on nearly all surfaces. Corundum abrasive grain and full resin bond guarantee high abrasion performance. From grain 36 to 280.

Grain	No. in pack	Order Reference
	pcs	
36	5	6 37 17 107 04 9
40	5	6 37 17 108 04 7
60	5	6 37 17 109 04 1
80	5	6 37 17 110 04 3
100	5	6 37 17 111 04 2
120	5	6 37 17 112 04 5
150	5	6 37 17 113 04 9
180	5	6 37 17 114 04 7
220	5	6 37 17 115 04 1
240	5	6 37 17 116 04 4

36	50	6 37 17 107 01 1
40	50	6 37 17 108 01 9
60	50	6 37 17 109 01 3
80	50	6 37 17 110 01 5
100	50	6 37 17 111 01 4
120	50	6 37 17 112 01 7
150	50	6 37 17 113 01 1
180	50	6 37 17 114 01 9
220	50	6 37 17 115 01 3
240	50	6 37 17 116 01 6

Set of sanding sheets

10 of each type of sanding sheet, perforated with Velcro rapid attachment, corundum, grit 60, 80, 120, 180, and 240.

Order Reference 6 37 17 109 03 5

FEIN "Dustex" vacuum cleaner

Powerful wet and dry extractor for connecting power tools when working in the workshop and for assembly work.

You will find detailed information about the FEIN vacuum cleaner and "dust-free sanding" in the chapter on vacuum cleaners.



Carbide rasp, triangular

carbide-coated
For rough grinding of filler, tile adhesives, concrete, stone and wood. For use with or without dust extractor.



Order Reference 6 37 31 001 01 4

Carbide rasp, finger-shaped

For rough sanding of filler, tile adhesives, concrete, stone and wood. The finger shape, coated on both sides, is especially well suited for artistic work.



Order Reference 6 37 31 002 01 7

Set of felt polishing pads

For polishing metal parts, as well as for polishing and decorative polishing of stone and stone products. Gelcoat layers on boats can also be polished. Pack of 2.



No. in pack	Order Reference
pcs	
2	6 38 06 140 02 7

Burnishing compounds for the respective material are available from specialist retailers.

Set with depth stop

Round HSS saw blade for wood. The 'mini circular saw' is ideal for longer straight cuts, for example in laid parquet / laminate.

Order Reference 3 26 07 062 04 0

HSS saw blade wood

Ø	Order Reference
mm	
100	6 35 02 153 01 0

Accessories for tilers / plumbers

Cutting blade

Mushroom-shaped, pack of 5, For cutting elastic silicon or acrylic connecting joints.



Order Reference 6 39 03 128 01 2

adapter

Needed for fitting accessories with round adapters (e.g. for rasping, sanding, and polishing).

Order Reference 3 06 05 114 01 1

Dust extraction set

For all sanding and rasping jobs with triangular sanding pad and carbide rasp. incl. 2 sanding pads, perforated; 5 of each type of sanding sheet, perforated, grit 60, 80, and 120; 1 extractor hood with suction tube; 2 hose nozzles for hose connection Ø 27 and 32 mm plus 2 adapters for connection to the most common domestic vacuum cleaners.



Order Reference 9 26 02 074 01 4

FEIN "Dustex" vacuum cleaner

Powerful wet and dry extractor for connecting power tools when working in the workshop and for assembly work.

You will find detailed information about the FEIN vacuum cleaner and "dust-free sanding" in the chapter on vacuum cleaners.



Carbide rasp, triangular

carbide-coated
For rough sanding of filler, tile adhesives, concrete, stone and wood. For use with or without dust extractor.



Order Reference 6 37 31 001 01 4

Segment blade

Diamond coated, also suitable for corners and radii and for working without overcutting. Cutting line approx. 2.2 mm, standard model for all marble, epoxy resin, and cement trass joints



Order Reference 6 39 03 162 01 7

Cutting line approx. 1,2 mm, for extremely narrow marble joints. Cutting depth max. 10 mm. Not suitable for epoxy resin or trass cement joints.



Order Reference 6 39 03 196 01 3

Saw blades

Diamond set, cranked, Ø 80 mm
Cutting line approx. 2.2 mm, standard design for all marble, epoxy resins and cement trass mortar.



Order Reference 6 35 02 115 01 1

Cutting line approx. 1.2 mm for extremely thin marbleized mortar. Not suitable for epoxy resin and cement trass mortar.

Order Reference 6 35 02 116 01 4

Dust extraction device

For jobs with diamond-coated tools; tool-free mount. Hose connection Ø 32 mm.



Order Reference 9 26 02 075 01 8

Scraper blade

for removing floor covering remains, underseal and residual bonding material, etc., pack of 1



Order Reference 6 39 03 206 01 8

Cleaning block

Rhombus for cleaning the carbide tools and diamond-coated tools.



Order Reference 6 37 19 007 01 0

Cutting tool

For making grooves of 13 x 6.5 mm in rigid foam panels for electrical, wall and underfloor heating. Pack of 2



Width mm	Cutting width mm	Cutting depth mm	Order Reference
50	13	6,5	6 39 03 223 01 0

For making grooves in rigid foam panels for electric cables up to 12 mm in diameter. Pack of 2



Width mm	Immersion mm	Ø mm	Order Reference
50	12		6 39 03 222 01 0

For making grooves in rigid foam panels for 1/2" and 3/4" hot water pipes and for empty pipes for electrical installation. Pack of 2



Width mm	Immersion mm	Ø mm	Order Reference
50	22		6 39 03 221 01 0

Accessories for renewing grouting/joints

Dust extraction device

For jobs with diamond-coated tools; tool-free mount. Hose connection Ø 32 mm.



Order Reference 9 26 02 075 01 8

Cleaning block

Rhombus for cleaning the carbide tools and diamond-coated tools.



Order Reference 6 37 19 007 01 0

Cutting blade

Straight shape. Universal blade for almost all expansion sealants. Pack of 5



Order Reference 6 39 03 117 01 5

Straight, long, for very deep joints, pack of 5



Order Reference 6 39 03 116 01 1

Segment blade

Segment form for V-cut from outside and for cuts in corners, 2-pack



Cut length mm	Total length mm	Order Reference
30	73	6 39 03 132 01 0

Cleaning blades

Straight, diamond-coated, for cleaning mortar flanks before rejoining



Order Reference 6 39 03 161 01 4

Work gloves

Vibration-attenuating, certified according to EN 388/420, EN ISO 10819, EEC No. 0200, No. in pack 1 pair



Size	Order Reference
9 L	3 21 73 003 00 3
10 XL	3 21 73 004 00 1
11 XXL	3 21 73 005 00 5

Bail handle

To reduce the vibrations and for better handling of the FEIN SuperCut during longer jobs. Can be used in connection with the dust extraction device 9 26 02 075 01 8.



Order Reference 3 21 19 116 01 1

Accessories for boat-builders

Cutting blade

For cutting away panelled deck sealant materials quickly and safely. Also ideal for difficult areas such as cabins, rails, gunwales, cleats, and curves. Pack of 2



Blade width mm	Order Reference
3	6 39 03 183 01 9
4	6 39 03 184 01 7
5	6 39 03 185 01 1
6	6 39 03 186 01 4

Accessory sets

Carpenters / interior fitters accessory set

Subsequent order professional set carpenters / interior fitters consisting of: 1 E-Cut standard saw blade each (form 123, 124 a. 135, 136); 1 E-Cut precision saw blade each (form 119, 120 a. 121, 122); 1 E-Cut universal saw blade each (form 147, 148); 1 depth stop; 1 adapter; 1 sanding pad; 5 sanding sheets each, grain 80, 120, 180



Order Reference 6 39 03 167 35 8

Accessory set for glaziers / window installers

Subsequent orders to professional set glaziers / window installers, consisting of 1 HSS saw blade, cranked, Ø 100 mm; 1 E-Cut standard saw blade (form 124); 1 each E-Cut universal saw blade (form 147, 148); 1 depth stop; 1 adapter; 1 sanding pad; 5 each sanding sheets, grit 80, 120, 180; 1 segment blade, toothed; 1 cutter blade, mushroom shaped



Order Reference 6 39 03 167 34 2

Accessory set for tilers

Subsequent order to professional set tile layer, 1 segment blade, diamond coated (form 162); 1 segment blade, mushroom shaped; 1 stopper knife; 1 each E-Cut universal saw blade (form 147, 148); 1 adapter; 2 rasps, carbide-coated, triangular, perforated for dust extractor.



Order Reference 6 39 03 167 36 1