

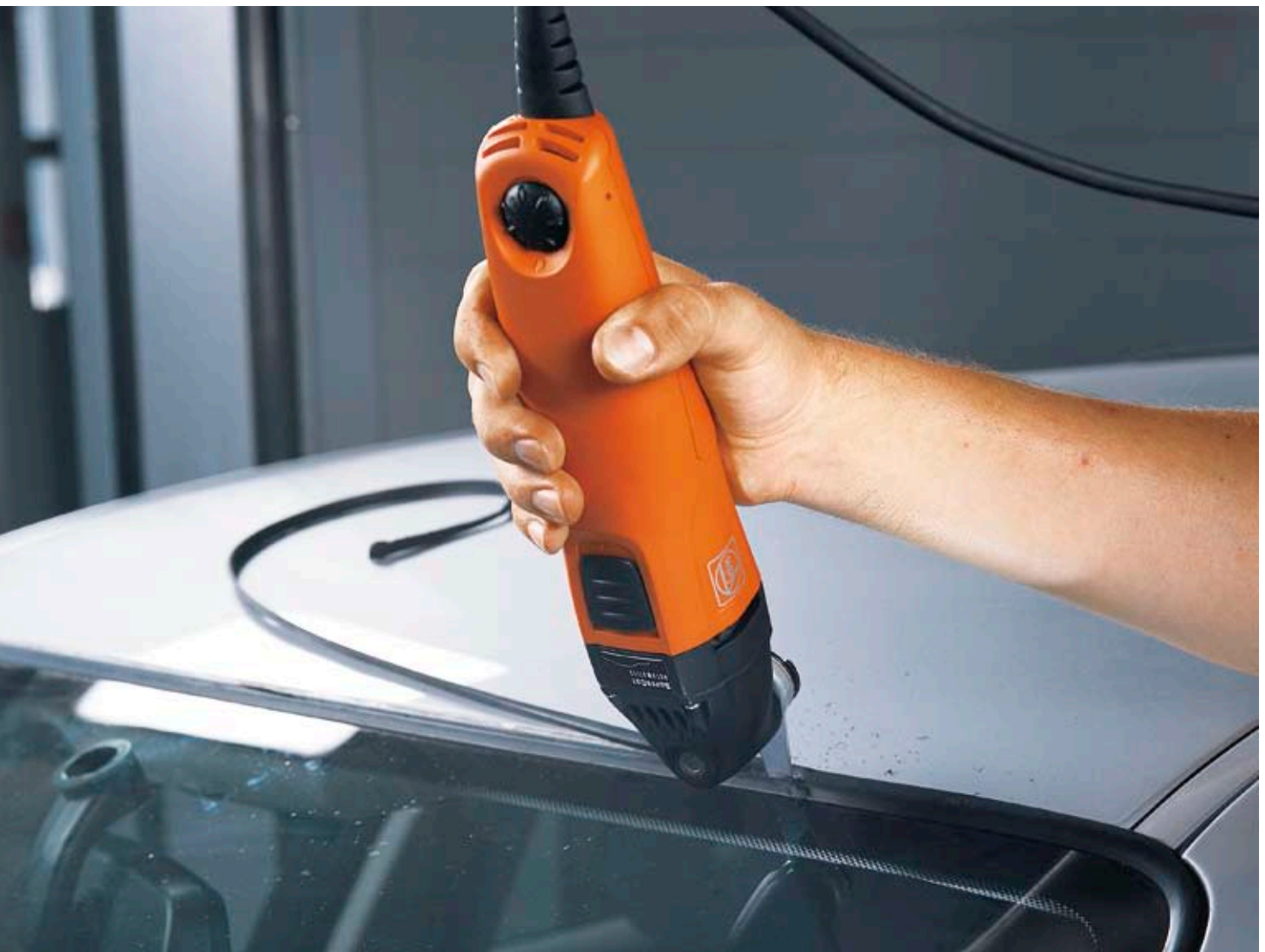


For maximum performance – when removing glass and in the automotive workshop: FEIN SUPERCUT AUTOMOTIVE.

As one of the world's most successful power tools for removing rigidly bonded panes of auto glass, the FEIN SUPERCUT AUTOMOTIVE, the powerful system for vehicle repairs, is virtually unbeatable in automotive work. To ensure cost-effectiveness, optimally compiled professional sets are available for auto glaziers' workshops, vehicle workshops and cargo. The FEIN SUPERCUT AUTOMOTIVE

is suitable for almost all vehicle types and is recommended by respected car manufacturers. The easy-to-handle FEIN glass removal system offers key advantages. The original FEIN cutter blades offer optimum handling, tool life and cost-effectiveness. FEIN's many years of experience means a high safety level with

regard to glass and paintwork damage. And of course the FEIN SUPERCUT AUTOMOTIVE can also be used for sanding, sawing, cutting and polishing. For professional results in the automotive workshop.



FEIN SUPERCUT AUTOMOTIVE



Powerful system for vehicle repairs.

FSC 1.6 Professional set for auto glaziers

Professional automobile glazier set for fast and safe removal of automobile glass panes.

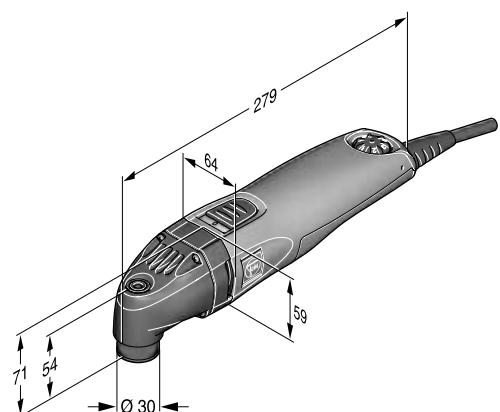
Technical data		
Model	FSC 1.6	
Input	W	400
Output	W	220
Oscillations	R.P.M	11 000-18 500
Cable with plug	m	5
Weight	kg	1,3
Order Reference	7 236 31 56	

Included in price
 1 FEIN SUPERCUT AUTOMOTIVE in a plastic tool case, 3 L-shaped cutter blades, toothed (form 207), 1 each L-shaped cutter blade, toothed (forms 208 and 209), 1 each U-shaped cutter blade, reinforced design (forms 157 and 111), 2 U-shaped cutter blades, reinforced design, toothed (form 212), 1 sharpening stone (6 37 19 010 01 4), 1 key, 1 training DVD

FEIN BENEFITS

- ▶ Optimally compiled set for removing the most common types of vehicle windscreen.
- ▶ Maximum quality and stability thanks to the use of ball / needle roller bearings and a motor and gearbox designed for continuous use and high load.
- ▶ Extreme efficiency owing to very long tool life of the original FEIN cutter blades.
- ▶ High safety level with L-shaped blades.
- ▶ Other cutter blades available as accessories.
- ▶ Supplied with training DVD.

For accessories, see page 229 - 231





FEIN SUPERCUT AUTOMOTIVE



Powerful system for vehicle repairs.

FSC 1.6 Professional set for the automotive workshop

Professional automotive workshop set with universal equipment

Technical data		
Model	FSC 1.6	
Input	W	400
Output	W	220
Oscillations	R.P.M	11 000-18 500
Cable with plug	m	5
Weight	kg	1,3
Order Reference	7 236 31 55	

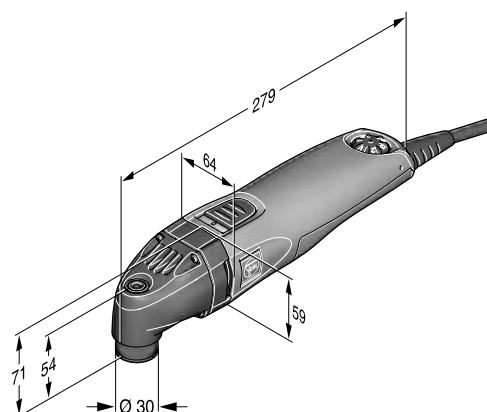
Included in price

1 FEIN SUPERCUT AUTOMOTIVE in a plastic tool case, 2 U-shaped cutters, short side (form 076), 1 each U-shaped cutter, short side (form 079 and 101), 1 L-shaped cutter blade, toothed (form 207), 1 Straight cutter blade, Z-bend, with adjustable roller stop (form 143), 1 Spade-shaped scraper knife, with scratch-protective coating (form 129), 1 Stopper knife, 1 HSS saw blade (Ø 80 mm), 1 sharpening stone (6 37 19 010 01 4), 1 key, 1 training DVD

FEIN BENEFITS

- ▶ Can be used for windscreens, side and rear glass panes.
- ▶ Maximum quality and stability thanks to the use of ball / needle roller bearings and a motor and gearbox designed for continuous use and high load.
- ▶ Accessories for easy removal of underseal or assembled car body sections and for sawing car body parts.
- ▶ High safety level with L-shaped blades.
- ▶ Other cutter blades available as accessories.
- ▶ Training DVD.

For accessories, see page 229 - 231



FEIN SUPERCUT AUTOMOTIVE



Powerful system for vehicle repairs.

FSC 1.6 Professional cargo set

Professional cargo set for removing bonded glass panes in buses, lorries, and rail vehicles.

Technical data		
Model	FSC 1.6	
Input	W	400
Output	W	220
Oscillations	R.P.M	11 000-18 500
Cable with plug	m	5
Weight	kg	1,3
Order Reference	7 236 31 57	

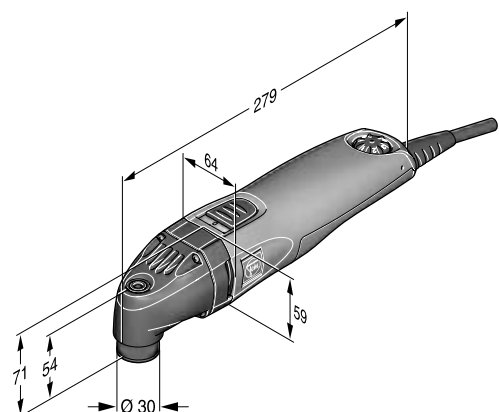
Included in price

1 FEIN SUPERCUT AUTOMOTIVE in a plastic tool case, 2 Straight cutter blades, toothed (form 073), 1 Straight cutter blade, Z-bend, toothed (form 081), 1 Hook-shaped cutter blade, toothed (form 217), 1 Straight cutter blades, curved shape, Z-bend (form 072), 1 each L-shaped cutter blade, toothed (forms 207 and 209), 1 Spade-shaped scraper knife, with scratch-protective coating (form 105), 1 Traction cable, 1 sharpening stone (6 37 19 010 01 4), 1 key, 1 training DVD

FEIN BENEFITS

- ▶ Sufficient capacity reserves for extreme loads in the cargo sector.
- ▶ Maximum quality and stability thanks to the use of ball / needle roller bearings and a motor and gearbox designed for continuous use and high load.
- ▶ Original FEIN cutter blades with optimal cutting performance and long tool life.
- ▶ Toothed blade designed specially for high-module polyurethane adhesives.
- ▶ Other cutter blades available as accessories.
- ▶ Training DVD.

For accessories, see page 229 - 231





FEIN SUPERCUT AUTOMOTIVE



Powerful system for vehicle repairs.

FSC 1.6

FEIN SUPERCUT AUTOMOTIVE for universal deployment in the automobile sector.

Technical data

Model	FSC 1.6	
Input	W	400
Output	W	220
Oscillations	R.P.M	11 000-18 500
Cable with plug	m	5
Weight	kg	1,3
Order Reference	7 236 31 50	

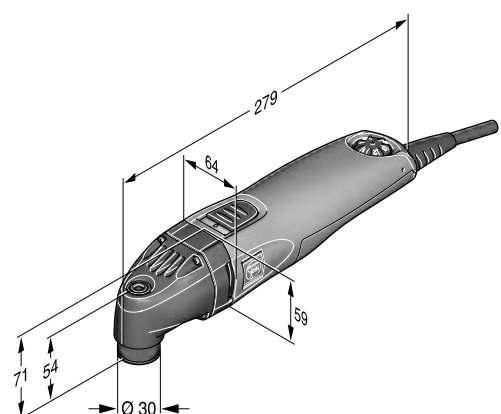
Included in price

1 plastic carrying case, 1 sharpening stone (6 37 19 010 01 4), 1 Mounting bolt (3 30 01 039 01 7), 1 key, 1 training DVD

FEIN BENEFITS

- ▶ Ideal for removing bonded panes and carrying out vehicle repairs.
- ▶ Maximum quality and stability thanks to the use of ball / needle roller bearings and a motor and gearbox designed for continuous use and high load.
- ▶ Large selection of accessories for cutting, sawing, grinding and scraping.
- ▶ Factory-recommended by respected vehicle manufacturers.
- ▶ Continuously variable speed.
- ▶ Hexagonal tool mounting with frictional connection between machine and tool.
- ▶ HIGH-POWER MOTOR.
- ▶ Carbon brushes with self-cut off function.
- ▶ Training DVD.

For accessories, see page 229 - 231





Powerful system for vehicle repairs.

MOTlx 6-25

Powerful FEIN pneumatic SUPERCUT for cargo.

Technical data		
Model	MOTlx 6-25	
Operating pressure	bar	6,3
Air consumption	m ³ /min	0,60
Oscillations	R.P.M	20000
Hose size Ø	mm	8
Weight	kg	0,9
Order Reference	7 536 03	

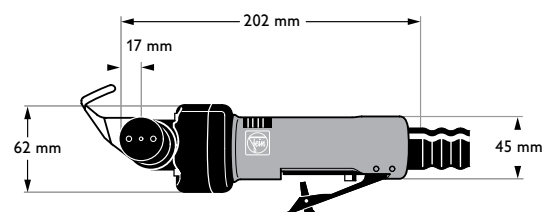
Included in price

1 plastic carrying case, 2 keys

FEIN BENEFITS

- ▶ Ideal for removing bonded panes from lorries, buses and rail vehicles.
- ▶ Available with a comprehensive range of accessories for professional use in many industry sectors.
- ▶ Powerful oscillating motion with amplitude of 2 x 1.6 degrees for maximum work progress.
- ▶ No air leaks, no oil misting in working area.
- ▶ Small size.
- ▶ Hexagonal tool mounting.
- ▶ Supplied with inlet and outlet air hose.

For accessories, see page 229 - 231



FEIN cutter blades for automobile glazing

Straight form
Pack of 2



Cut length mm	Total length mm	Order Reference
26	56	6 39 03 121 01 8
40	90	6 39 03 176 01 5
110	145	6 39 03 194 01 6

Z-bend, 2-pack.



Cut length mm	Total length mm	Order Reference
19	68	6 39 03 122 01 1
18	84	6 39 03 181 01 2
23	65	6 39 03 173 01 0
25	65	6 39 03 124 01 3
27	85	6 39 03 174 01 8
32	110	6 39 03 123 01 5
70	120	6 39 03 171 01 3

curved, 2-pack



Cut length mm	Total length mm	Order Reference
14	65	6 39 03 120 01 9
16	75	6 39 03 104 01 5
35	75	6 39 03 103 01 7
35	75	6 39 03 109 01 8
35	75	6 39 03 164 01 9
35	75	6 39 03 172 01 6

curved, Z-bend, 2-pack



Cut length mm	Total length mm	Order Reference
45	120	6 39 03 168 01 8
70	120	6 39 03 125 01 7

Z-bend, with rigid depth stop, 2-pack.



Cut length mm	Total length mm	Order Reference
16	120	6 39 03 099 01 0
58	125	6 39 03 097 01 8

Z-bend, with adjustable depth stop, 2-pack



Cut length mm	Total length mm	Order Reference
16-43	100	6 39 03 143 01 3
18-39	100	6 39 03 170 01 4
20-35	100	6 39 03 198 01 5
60-76	120	6 39 03 169 01 2

flat, with adjustable depth stop, 2-pack.



Cut length mm	Total length mm	Order Reference
42-60	145	6 39 03 182 01 5

Z-bend, bent with rigid depth stop, 2-pack.



Cut length mm	Total length mm	Order Reference
46	120	6 39 03 179 01 1
54	120	6 39 03 160 01 5

U-shaped
short side, 2-pack



Cut length mm	Order Reference
10	6 39 03 083 01 0
16	6 39 03 095 01 1
16	6 39 03 108 01 4
18	6 39 03 087 01 9
19,5	6 39 03 118 01 3
22	6 39 03 115 01 8
24	6 39 03 076 01 6
28	6 39 03 163 01 1
32	6 39 03 147 01 2
36	6 39 03 079 01 2
40	6 39 03 110 01 0
60	6 39 03 101 01 0
70	6 39 03 155 01 4

long side, 2-pack



Cut length mm	Order Reference
18	6 39 03 127 01 4
32	6 39 03 114 01 4
32	6 39 03 191 01 1
45	6 39 03 154 01 0
52	6 39 03 153 01 2
60	6 39 03 107 01 6

reinforced design, 2-pack



Cut length mm	Order Reference
60	6 39 03 157 01 1
95	6 39 03 111 01 9

reinforced design, toothed, 2-pack.



Cut length mm	Order Reference
19	6 39 03 210 01 6
25,5	6 39 03 211 01 5
38	6 39 03 212 01 8

L-shaped
toothed, 2-pack.



Cut length mm	Order Reference
19	6 39 03 208 01 0
25,4	6 39 03 207 01 2
38	6 39 03 209 01 4

Curved form

Z-bend, with rigid depth stop, 2-pack.



Cut length mm	Total length mm	Order Reference
11	85	6 39 03 189 01 0
14	80	6 39 03 082 01 6
16	80	6 39 03 133 01 4
39	85	6 39 03 152 01 8

Z-bend, with adjustable depth stop, 2-pack



Cut length mm	Total length mm	Order Reference
32-46	110	6 39 03 195 01 0

FEIN cargo cutter blades and accessories

Cutter blade, straight shape
toothed, 2-pack.



Cut length mm	Total length mm	Order Reference
35	56	6 39 03 073 01 1

Segment blade
Segment form for V-cut from outside and for cuts in corners, 2-pack



Cut length mm	Total length mm	Order Reference
30	73	6 39 03 132 01 0

Curved form
Z-bend, 2-pack.



Cut length mm	Total length mm	Order Reference
45	80	6 39 03 072 01 7

U-shaped
with elongated traverse, 2-pack.



Cut length mm	Order Reference
40	6 39 03 156 01 7

Cutter blade, straight shape
Z-bend, toothed, 2-pack.



Cut length mm	Total length mm	Order Reference
60	120	6 39 03 081 01 3

Traction cable
with grip. Use is recommended when cutting out from outside with L-shaped or hook-shaped cutter blade. Easier work and less effort when cutting out glass panes from problem spots on buses, commercial vehicles, trams and locomotives.



Order Reference	Order Reference
9 26 02 030 01 4	

L-shaped
toothed, 2-pack.



Cut length mm	Order Reference
25,4	6 39 03 207 01 2
38	6 39 03 209 01 4

Straight form
Angle cutter, 2-pack.



Cut length mm	Total length mm	Order Reference
35/20	83	6 39 03 203 01 3
65/8	85	6 39 03 177 01 9

Z-bend, 2-pack.



Cut length mm	Total length mm	Order Reference
60	120	6 39 03 216 01 7

Hook-shaped
toothed, 2-pack.



Cut length mm	Order Reference
38	6 39 03 217 01 1

Work gloves
Vibration-attenuating, certified according to EN 388/420, EN ISO 10819, EEC No. 0200, No. in pack 1 pair



Size	Order Reference
9 L	3 21 73 003 00 3
10 XL	3 21 73 004 00 1
11 XXL	3 21 73 005 00 5

FEIN accessories for removing residual bonding beads

Scraper knife
with cross cutter and scratch-protective coating on front limit stop, 2-pack.



Cutting width mm	Order Reference
13	6 39 03 113 01 6
25	6 39 03 131 01 7

Spade-shaped, with scratch-protective coating, 2-pack.



Cut length mm	Total length mm	Order Reference
12	64	6 39 03 129 05 0
18	65	6 39 03 146 01 8
25	64	6 39 03 105 01 9

with cross cutter, 2-pack.



Cutting width mm	Order Reference
13	6 39 03 144 01 1

Scraper knife set

consisting of: 1 each of scraper knife with cross cutter and scratch-protective coating on front limit stop (form 113/131).



Order Reference 6 39 03 113 02 2

consisting of: 1 each of spade-shaped scraper knife, with scratch-protective coating (forms 129/105).



Order Reference 6 39 03 129 01 6

Scraper blade

For levelling and for piercing through the adhesive material



Order Reference 6 39 01 007 00 3

FEIN accessories for the automobile workshop

Cutter blade, straight shape

curved, Z-bend, as subsequent order for removal device 9 06 07 001 01 6, 2-pack.



Order Reference 6 39 03 197 01 7

toothed, 2-pack.



Cut length mm	Total length mm	Order Reference
35	56	6 39 03 073 01 1

Z-bend, toothed, 2-pack.



Cut length mm	Total length mm	Order Reference
60	120	6 39 03 081 01 3

Scraper blade

for removing floor covering remains, underseal and residual bonding material, etc., pack of 1



Order Reference 6 39 03 206 01 8

Saw blades

HSS saw blade
HSS, cranked, countersunk clamping screw for flush working.



Ø mm	No. in pack		Order Reference
	pcs		
85	1		6 35 02 145 01 8
100	1		6 35 02 137 01 6

HSS, with fine teeth for precise cutting. Universal use on sheet metal of up to approx. 1 mm, also doubled, and plastics.



Ø mm	No. in pack		Order Reference
	pcs		
63	2		6 35 02 102 01 6
80	2		6 35 02 103 01 0

Cutting paste

Lubricating agents for working on sheet metals.

Order Reference 3 21 32 020 12 9

M-Cut Saw Blade

For cuts, cut-outs, and grooves in sheet metal, plastics, fibreglass, and carbon fibre-reinforced plastic; 2-pack.



Width mm	Length mm	Order Reference
30	50	6 35 02 138 01 4

Sanding pad set, unperforated

For sanding without extraction. 2-pack.



No. in pack pcs	Order Reference
2	6 38 06 129 02 6

Set of sanding sheets

For universal application on nearly all surfaces. Corundum abrasive grain and full resin bond guarantee high abrasion performance. Each with 10 sanding sheets, unperforated, with Velcro rapid attachment, grain 60, 80, 120, 180, 240.

Order Reference 6 37 17 082 03 3

Removal Device

for dismantling rear and side glass panes without damaging the vulcanised sealing lip. For VW-Golf III and VW Polo after 1995, Lupo, Passat V estate car, tailgate. Consisting of 1 sliding guide and 2 cutter blades (form 197 a. 113).



Order Reference 9 06 07 003 01 3

E-Cut universal saw blades

Bi-metal teeth, cranked, also suitable for radii, high speed cut, sheet metal (400 N/mm²) up to about 2 mm and plastics, aluminium profiles, copper pipes, wood, plasterboard, and almost all plastics.

Length 60 mm



Width mm	No. in pack pcs	Order Reference
28	1	6 35 02 147 01 5
28	5	6 35 02 147 02 1

Length 60 mm



Width mm	No. in pack pcs	Order Reference
44	1	6 35 02 148 01 3
44	5	6 35 02 148 02 9

Adapter

Needed for fitting accessories with round adapters (e.g. for rasping, sanding, and polishing).

Order Reference 3 06 05 114 01 1