

First-class cutting – and without swarf: FEIN slitting shears.

For an absolutely clean, distortion-free cut with just one continuous chip: FEIN slitting shears come in three versions, which are suited to both rapid cutting and clean cuts of sheet metal, profiles or pipes. Curve cuts are also no problem.

Further advantages: The excellent ergonomics and the light weight of the FEIN slitting shears make flexible and fatigue-free, uninterrupted work possible. The open-fronted cutting head also offers an optimum view of the cutting line – a key condition for precise work results.

Above all in dry wall applications, when working in the climate control or electrical installation sectors. Additionally: the BSS 1.6 can be stopped or withdrawn from the cut at any time.

Thanks to QuickIN, the blade can be changed in seconds – completely tool free and without further adjustment. FEIN slitting shears also ensure that your work is made easy.





Slitting shears, up to 1.6 mm

BSS 1.6 C

Easy-to-use and curve-compatible slitting shears with integrated chip clipper.

Technical data

Model	BSS 1.6 C	
Input	W	350
Output	W	210
Strokes	R.P.M	3800
Cutting speed	m/min	6-10
Cable with plug	m	5
Weight	kg	1,4
Max. cutting capacity		
Steel up to 400 N/mm ²	mm	1,6
Steel up to 600 N/mm ²	mm	1,2
Steel up to 800 N/mm ²	mm	0,8
Non-ferrous metals up to 250 N/mm ²	mm	2,0
Cutting width	mm	5,0
Rad. of smallest curve	mm	90 (30) ¹
Immersion Ø	mm	15 (8) ¹
Order Reference	7 230 28	

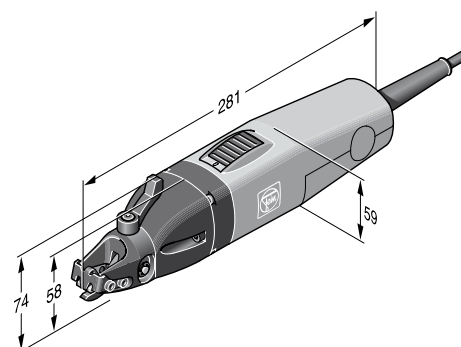
Included in price

1 Knife, straight, up to 1.6 mm, 1 pair of cutting bars, 1 key

FEIN BENEFITS

- ▶ Chip clipper for clipping off the cut chip at any point.
- ▶ Left and right curve cuts and distortion-free cutting possible with just one continuous chip.
- ▶ Rapid work progress due to excellent view of the cutting line through the open-fronted cutting head.
- ▶ Excellent ergonomics and low weight.
- ▶ Motor with outstanding performance and stability.
- ▶ Cutting blade with excellent tool life.
- ▶ 5 metre cable.
- ▶ Clean swarf removal prevents injuries or scratches on workpieces.
- ▶ Stainless steel up to 1.2 mm.
- ▶ Wide range of accessories.
- ▶ ¹ with blade for curves

For accessories, see page 240





Slitting shears, up to 1.6 mm

BSS 1.6

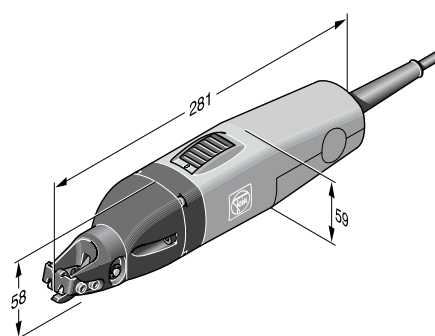
Easy-to-use and curve-compatible slitting shears for distortion-free cutting.

Technical data		
Model	BSS 1.6	
Input	W	350
Output	W	210
Strokes	R.P.M	3800
Cutting speed	m/min	6-10
Cable with plug	m	5
Weight	kg	1,4
Max. cutting capacity		
Steel up to 400 N/mm ²	mm	1,6
Steel up to 600 N/mm ²	mm	1,2
Steel up to 800 N/mm ²	mm	0,8
Non-ferrous metals up to 250 N/mm ²	mm	2,0
Cutting width	mm	5,0
Rad. of smallest curve	mm	90 (30) ¹
Immersion Ø	mm	15 (8) ¹
Order Reference	7 230 27	
Included in price		
1 Knife, straight, up to 1.6 mm, 1 pair of cutting bars, 1 key		

FEIN BENEFITS

- ▶ Rapid work progress due to excellent view of the cutting line through the open-fronted cutting head.
- ▶ Left and right curve cuts and distortion-free cutting possible with just one continuous chip.
- ▶ QuickIN for rapid toolfree blade changing, with no further adjustment required.
- ▶ Excellent ergonomics and low weight.
- ▶ Motor with outstanding performance and stability.
- ▶ Cutting blade with excellent tool life.
- ▶ 5 metre cable.
- ▶ Clean swarf removal prevents injuries or scratches on workpieces.
- ▶ Stainless steel up to 1.2 mm.
- ▶ Wide range of accessories.
- ▶ ¹ with blade for curves

For accessories, see page 240





Slitting shears, up to 2 mm

BSS 2.0

High-power slitting shears for spiral seam pipes and distortion-free cuts.

Technical data

Model	BSS 2.0	
Input	W	350
Output	W	210
Strokes	R.P.M	2200
Cutting speed	m/min	2-4
Cable with plug	m	5
Weight	kg	1,7
Max. cutting capacity		
Steel up to 400 N/mm ²	mm	2,0
Steel up to 600 N/mm ²	mm	1,5
Steel up to 800 N/mm ²	mm	1,3
Non-ferrous metals up to 250 N/mm ²	mm	3,0
Cutting width	mm	5,0
Rad. of smallest curve	mm	245
Immersion Ø	mm	12
Order Reference	7 230 22	

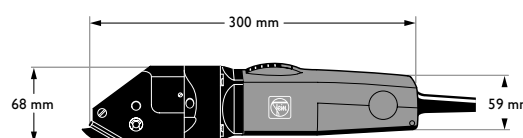
Included in price

1 cutter blade, 1 pair of cutting bars

FEIN BENEFITS

- ▶ High performance and powerful motor when it comes to the most difficult tasks. Suitable for folded spiral-seam pipes with 4 x 0.75 mm connecting folds
- ▶ Robust cutting head for stationary application. Machine can be very easily clamped in a vice.
- ▶ Left and right curve cuts and distortion-free cutting possible with just one continuous chip.
- ▶ Ideal for trimming profiled sections.
- ▶ Best suited for trimming and cutting.
- ▶ Motor with outstanding performance and stability.
- ▶ Cutting blade with excellent tool life.
- ▶ 5 metre cable.
- ▶ Clean swarf removal prevents injuries or scratches on workpieces.
- ▶ Stainless steel up to 1.5 mm.
- ▶ Wide range of accessories.

For accessories, see page 240



General accessories

tool case

Plastic, 450 x 310 x 135 mm



Order Reference 3 39 01 118 01 0

Plastic box

Box insert with lockable lid for small parts and accessories, suitable for tool box 3 39 01 118 01 0, max 5 items/box.

Order Reference 3 39 01 119 00 0

Cutting paste

Lubricating agents for working on sheet metals.



Order Reference 3 21 32 020 12 9

BSS 1.6 C, BSS 1.6

Cutting blade

for steel sheet up to 400 N/mm²

Plate thickness mm	Order Reference
1,0	3 13 08 149 00 7
1,6	3 13 08 150 00 9

Cutter blade

for stainless steel up to 800 N/mm²

Plate thickness mm	Order Reference
0,8	3 13 08 152 00 1

Blade for curves

for steel sheet up to 400 N/mm²

Plate thickness mm	Order Reference
1,0	3 13 08 151 00 8

Parallel stop

Order Reference 3 13 08 166 00 9

BSS 1.6 C

Cutting bars

1 pair
Order Reference 3 13 08 153 02 0

BSS 1.6

Cutting bars

1 pair
Order Reference 3 13 08 153 01 4

BSS 2.0

Parallel stop

Length 250 mm for strip cuts



Order Reference 3 13 08 121 00 1

Support roll

For convenient working with longer cuts



Order Reference 3 13 08 122 00 4

Cutting blade

for steel sheet up to 400 N/mm²



Plate thickness mm	Order Reference
2,0	3 13 08 110 00 3

Cutter blade

for stainless steel up to 800 N/mm²

Plate thickness mm	Order Reference
1,3	3 13 08 123 00 8

Cutting bars

Pack of 2



Order Reference 3 13 08 113 00 9

Blade pin

Order Reference 3 13 08 111 00 2