

FEIN self-drilling screwdrivers. Drill and attach screws in a single step.

Self-drilling screwdrivers are very popular. They are used in roof and facade construction; heating, air conditioning and ventilation; metal and plant construction; and assembling vehicle bodies and containers. FEIN self-drilling screwdrivers with their stable, powerful motors are characterised by their extremely low weight, excellent ergonomics and high speed. They are optimised for screw connections of up to 4.8 mm and 6.3 mm. The optimally selected speeds guarantee precise screwdriving results and help the driver bit from wearing out. The self-drilling screwdriver is complemented by perfectly coordinated accessories. So you achieve high-quality screw connections and perfect results.





Self-drilling Screwdriver up to 4,8 mm

SCS 4.8-25

One of the lightest drills/drivers in its class for roof and facade construction.

Fastening

Technical data		
Model	SCS 4.8-25	
Input	W	450
Output	W	250
Speed, full load	R.P.M	0-2000
Speed, no load	R.P.M	0-2500
Max. torque	Nm	16
Cable with plug	m	5,0
Weight	kg	1,3
Screw Ø	mm	4,8
Rapid change chuck		1/4"
Order Reference	7 213 04	

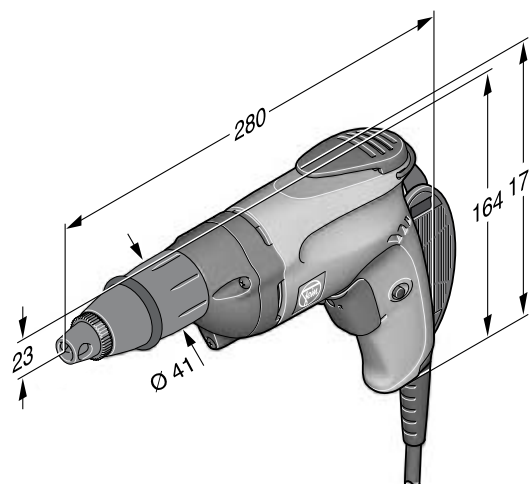
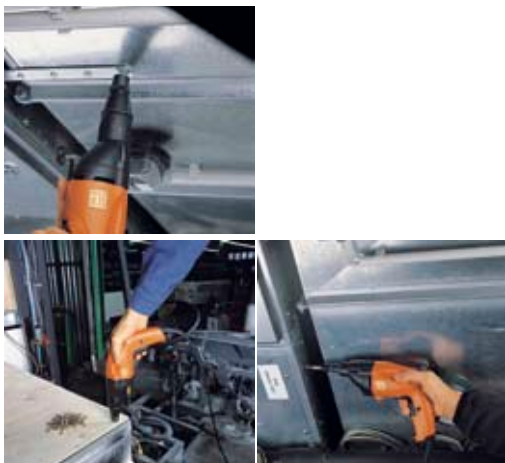
Included in price

1 depth stop, 1 magnetic holder for bits 1/4", 1 bit 1/4" for cross-slotted screws size 2 / Phillips (form H) extra hard, 1 hand strap, 1 belt clip

FEIN BENEFITS

- ▶ Safe working with self-drilling and thread-moulding screws up to 4.8 mm - with or without sealing disc and also suitable for wing teks.
- ▶ Lightweight drill/driver for fatigue-free working in roof and facade construction as well as heating, air conditioning and ventilation.
- ▶ Adjustable, power-sensitive FEIN universal clutch for optimum configuration of torque when working without depth stop.
- ▶ HIGH-POWER MOTOR.
- ▶ Infinitely variable electronic speed setting.
- ▶ Practical hand strap.

For accessories, see page 101





Self-drilling Screwdriver up to 6,3 mm

SCS 6.3-19 X

Drill/driver for heavy use in plant and container construction.

Technical data		
Model	SCS 6.3-19 X	
Input	W	400
Output	W	220
Speed, full load	R.P.M	0-1300
Speed, no load	R.P.M	0-1900
Max. torque	Nm	18
Cable with plug	m	5,0
Weight	kg	1,6
Screw Ø	mm	6,3
Rapid change chuck		1/4"
Order Reference	7 213 09	

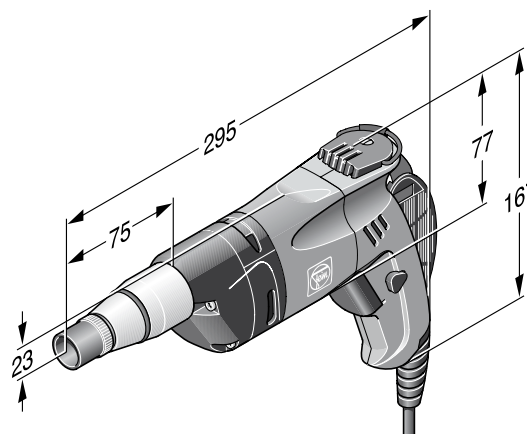
Included in price

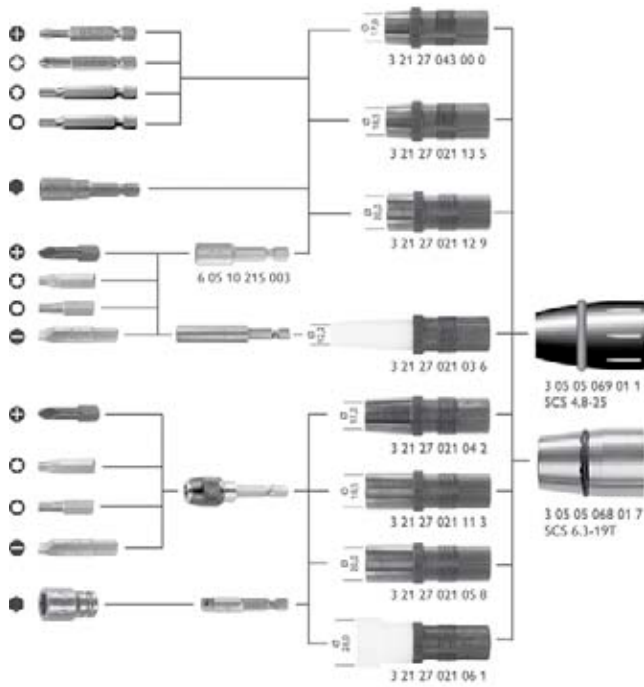
1 depth stop, 1 insert for hexagon bolts SW 8, 1 hand strap

FEIN BENEFITS

- ▶ Safe working with reduced wear of the driver bit for self-drilling and thread-moulding screws of 5.5 mm to 6.3 mm - with or without sealing disc and also suitable for wing teks.
- ▶ Excellent ergonomics for fatigue-free and comfortable working.
- ▶ Variable speed control for sensitive screwdriving.
- ▶ HIGH-POWER MOTOR.
- ▶ Extremely low noise.
- ▶ FEIN clutch completes every screwdriving application with a soft ratcheting.
- ▶ Integral switch with toggle switch for forward/reverse rotation.
- ▶ Practical hand strap.

For accessories, see page 101





Depth stops

Whenever the situation allows, the benefits of a depth stop (consisting of a sleeve socket assembly along with a choice of a stop sleeve) should be taken advantage of: exact setting of the driving depth, steady and even rows of screws, no thread stripping or wringing of screws, reduced tool wear.

Fastening

General accessories

tool case
Plastic, 450 x 310 x 135 mm



Order Reference 3 39 01 118 01 0

Plastic box
Box insert with lockable lid for small parts and accessories, suitable for tool box 3 39 01 118 01 0, max 5 items/box.



Order Reference 3 39 01 119 00 0

Bits 1/4" for hexagon socket screws
for hexagon socket screws short model



SW	Ø	L	Order Reference
	mm	mm	
8	14	50	6 05 05 015 00 1

for Torx socket screws

Size	L	Order Reference
	mm	
TX 10	50	6 05 22 001 00 6
TX 15	50	6 05 22 002 00 9
TX 20	50	6 05 22 003 00 3
TX 25	50	6 05 22 004 00 1
TX 30	50	6 05 22 005 00 5
TX 40	50	6 05 22 006 00 8

Tool holder 1/4" external hexagon
1/4" Drive-Hex Socket
with quick-change chuck



Ø	L	Order Reference
mm	mm	
15	51	6 05 10 011 00 9

with quick-change chuck, magnetic



Ø	L	Order Reference
mm	mm	
15	52	6 05 10 213 04 8

Bits 1/4 Hex socket
for cross-slotted screws as per DIN 7962
Form H/Phillips (pack of 5)



Size	L	Order Reference
	mm	
1	25	6 27 12 008 01 9
2	25	6 27 12 009 01 3
3	25	6 27 12 010 01 5
2	50	6 27 12 509 01 6

Form Z/Pozidriv (pack of 5) extra hard



Size	L	Order Reference
	mm	
1	25	6 27 12 111 02 9
2	25	6 27 12 112 02 2
3	25	6 27 12 113 02 6
4	32	6 27 12 114 02 4

for hexagon socket screws



SW	Size	L	Order Reference
		mm	
2,5	M 3	25	6 27 12 017 00 1
3	M 4	25	6 27 12 018 00 9
4	M 5	25	6 27 12 019 00 3
5	M 6	25	6 27 12 020 00 5
6	M 8	25	6 27 12 021 00 4

for Torx socket screws



Size	L	Order Reference
	mm	
TX 10	26	6 27 12 026 00 6
TX 15	26	6 27 12 027 00 0
TX 20	26	6 27 12 028 00 8
TX 25	26	6 27 12 029 00 2
TX 30	26	6 27 12 031 00 3
TX 40	26	6 27 12 032 00 6

Shaft 1/4" external hexagon
Output 1/4" square socket



L	Order Reference
mm	
50	6 05 13 001 00 4

SCS 4.8-25

Tool holder 1/4" external hexagon
1/4" Drive-Hex Socket
with spring washer

Ø	L	Order Reference
mm	mm	
11	42	6 05 10 004 00 5

with spring washer, magnetic

Ø	L	Order Reference
mm	mm	
10,6	45	6 05 10 215 00 3
11	50	6 05 10 211 00 4
11	73	6 05 10 201 00 5