

Sanding and polishing for the perfect finish.

FEIN supplies a complete coordinated range of machines and accessories for stainless steel machining. The sander polisher WPO 14-25 E is uniquely suitable for all sanding, satin-finishing and polishing work, even in continuous use. You can also use discs, cylinders and polishing rings without a problem. The right FEIN accessory for the job is ideally adapted for efficient use, from the first cut to the final finish. The pipe sander RS 12-70 E is the quick and effective tool for processing stainless steel pipes. Whether you need to sand welded seams flat or satin-finish whole hand rails, the pipe sander is the right choice.

Effortlessly achieve optimum surfaces on wood, mineral substances, paint, plastics and other materials with FEIN eccentric sanders. With their tremendous power, you can work quickly and effectively on surfaces large and small. And with the right FEIN system accessories – backing pads, sanding sheets and dust extractors – there is virtually no dust.





Sander polisher

WPO 14-25 E

Extremely powerful sander polisher for cool machining of stainless steel surfaces.

Technical data

Model	WPO 14-25 E	
Input	W	1200
Output	W	750
Speed, no load	R.P.M	900-2500
Cable with plug	m	4
Weight	kg	2,4
Polishing disc Ø	mm	250
Mounting thread		M 14
Order Reference	7 221 49	

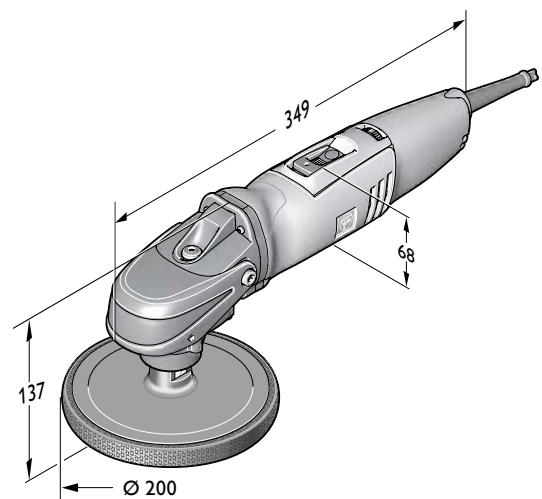
Included in price

1 additional handle

FEIN BENEFITS

- ▶ Extremely powerful even at low speeds thanks to mechanical gear reduction and FEIN HIGH POWER MOTOR.
- ▶ Infinitely variable speed, ideal for sanding, satin-finishing, brushing and high-gloss polishing of stainless steel.
- ▶ Universal suitability as fully-functional sander, polisher and satin-finisher.
- ▶ Excellent handling.
- ▶ Spindle lock.
- ▶ Self-start lock.
- ▶ Restart lock.
- ▶ Soft start.
- ▶ H 07 industrial cable.
- ▶ Dustproof ball bearing.
- ▶ Carbon brushes with self-cutoff function.
- ▶ Comprehensive accessories range available.
- ▶ Available only in 230V

For accessories, see page 182



Accessory sets

Standard stainless steel set - Surfaces

For the most common stainless steel applications. Consisting of: 1 elastic sanding cylinder (100 x 100 mm, grain 60), 1 lamella fleece cylinder (100 x 100 mm, grain 180), 1 sanding pad with corrugation (30 x 150 mm, M 14), 1 work arbour 15-50 mm, 10 hook and loop sanding pads, (Ø 115 mm, fine), 1 support plate with hook and loop fastening (Ø 115 mm, M14), 2 keys.



Order Reference 6 37 21 006 02 8

Standard stainless steel set - Pipes

For surface processing of straight pipes. Consisting of: 1 sanding belt roll (100 x 70 mm), 10 sanding belts (600 x 30 mm, grain 60), 10 sanding belts (600 x 30 mm, grain 120), 1 fleece belt (600 x 30 mm, medium), 1 fleece belt (600 x 30 mm, fine), 1 adhesive strip for sanding belts.



Order Reference 6 38 06 181 02 2

required: work arbour, 6 38 03 067 02 8 and holder 3 30 21 102 02 2

Satin-finishing stainless steel set - Pipes and profiles

Consisting of: 1 lamella sanding disc (150 x 50 mm, coarse, grain 40), 1 lamella sanding disc (150 x 50 mm, medium, grain 60), 1 lamella sanding disc (150 x 50 mm, fine, grain 80), 1 work arbour (15-50 mm), 2 keys.



Order Reference 6 37 21 003 02 3

Polishing stainless steel set - Surfaces, pipes and profiles

consisting of: 1 polishing ring (150 x 30 mm, sisal/cloth), 2 polishing rings (150 x 15 mm, firm cloth), 2 polishing rings (150 x 15 mm, soft cloth) 1 brush paste for sisal/cloth (yellow), 1 prepolishing paste for firm cloth (orange) 1 colouring paste for soft cloth (white), 1 work arbour (15-35 mm), 2 wrenches.



Order Reference 6 37 23 011 02 0

Surface processing

Elastic sanding cylinder
100 x 100 mm



Grain	Model	Order Reference
60	course	6 37 21 006 01 2
180	fine	6 37 21 007 01 6

Lamella fleece cylinder
100 x 100 mm



Grain	Model	Order Reference
100	medium	6 37 21 008 01 4
180	fine	6 37 21 009 01 8
280	very fine	6 37 21 010 01 0

Sanding fleece

with corrugated folds, width approx. 30 mm, bore hole 14 mm, for light finishing work, derusting, polishing, and decorative work



Ø mm	Order Reference
150	6 37 23 021 01 3
200	6 37 23 022 01 6

Ø 115 mm, with Velcro attachment, for use with support plate
6 38 06 172 01 0



Grain	No. in pack	Order Reference
course	10	6 37 32 001 01 8
medium	10	6 37 32 002 01 1
fine	10	6 37 32 003 01 5

Backing pad

with Velcro attachment, for working with sanding fleece, M 14



Ø mm	Order Reference
115	6 38 06 172 01 0

INOX round brush
115 mm, M14



Order Reference 6 37 22 049 01 8

Pipe processing

Sanding strip roll
100 x 70 mm



Order Reference 6 38 06 181 01 6

Sanding strips
600 x 30 mm



Grain	No. in pack	Order Reference
60	10	6 37 14 044 01 0
120	10	6 37 14 045 01 4
240	10	6 37 14 046 01 7

Adhesive strip

for sanding strips

Order Reference 6 38 09 004 01 9

Fleece strips

600 x 30 mm



Model	Order Reference
course	6 37 14 047 01 1
medium	6 37 14 048 01 9
fine	6 37 14 049 01 3

Viennese chalk

Special steel cleaning powder to remove polishing paste and finger prints, 1 kg

Order Reference 6 37 26 007 01 4

Satin-finishing

FLAP WHEEL

Ø 150 mm, 50 mm width, 14 mm bore for eliminating minor blemishes and producing a matt finish



Order Reference 6 37 21 003 01 7

for medium brush applications

Order Reference 6 37 21 004 01 5

for fine brush applications

Order Reference 6 37 21 005 01 9

Polishing

Polishing rings, Sisal, cloth
for - fine finishing/brushing and levelling of non-ferrous metals following preliminary sanding with grain 240-280 using polishing paste "yellow". - fine finishing/brushing and levelling of iron/steel, and stainless steel following preliminary sanding with grain 280-320 using polishing paste "yellow" - matt-shining/brushing non-ferrous metals, iron/steel, and stainless steel using polishing paste "yellow". - Preliminary polishing of iron/steel and stainless steel with preliminary polishing paste "orange" width about 30 mm, 14 mm bore



Ø mm	Order Reference
150	6 37 23 011 01 4
200	6 37 23 012 01 7

Polishing rings, hard cloth
Width approx. 15 mm, bore hole 14 mm, for preliminary polishing and polishing of non-ferrous metals, iron/steel, stainless steel with preliminary polishing paste "orange"



Ø mm	Order Reference
150	6 37 23 013 01 1
200	6 37 23 015 01 3

Polishing rings, soft cloth
Width approx. 15 mm, bore hole 14 mm, for high-gloss polishing of non-ferrous metals, iron/steel, stainless steel and chrome with final polishing paste "white"

Ø mm	Order Reference
150	6 37 23 014 01 9
200	6 37 23 016 01 6

Polishing rings, fleece, extra soft
Width approx. 15 mm, bore hole 14 mm, for final polishing of non-ferrous metals, iron/steel, stainless steel and many plastics with final polishing paste "white"

Ø mm	Order Reference
150	6 37 23 019 01 2
200	6 37 23 020 01 4

Polishing wheel
Ø 150 mm, width 60 mm, bore 14 mm for brush polishing, grain 16 (coarse), soft, "green"



Order Reference	6 37 13 013 01 8
-----------------	------------------

for delicate surfaces, grit 24 (medium), soft, "blue"

Order Reference	6 37 13 015 01 0
-----------------	------------------

for fine polishing, grit 46, soft, "brown"

Order Reference	6 37 13 016 01 3
-----------------	------------------

also required: work arbour, order no. 6 38 03 066 02 4

Brushing paste
yellow, for Sisal/cloth for matt-shining of non-ferrous metals, iron/steel, and stainless steel



Order Reference	6 37 26 001 01 8
-----------------	------------------

Preliminary polishing paste
orange, for firm cloth, for matt-shining and polishing of non-ferrous metals, iron/steel, and stainless steel



Order Reference	6 37 26 002 01 1
-----------------	------------------

Rumbling paste
white, for soft cloth, for high-gloss polishing of non-ferrous metals, iron/steel, stainless steel, and chrome



Order Reference	6 37 26 003 01 5
-----------------	------------------

Viennese chalk
Special steel cleaning powder to remove polishing paste and finger prints, 1 kg

Order Reference	6 37 26 007 01 4
-----------------	------------------

Nettle buffer / Flannel buffer
Ø 250 mm, width 40 mm consisting of two parts for non ferrous metals, iron, steel, chrome - for prepolishing and polishing with prepolishing paste orange - for high gloss polishing with final polishing paste white



Model	Order Reference
Nettle	6 37 23 004 01 0
Flannel	6 37 23 005 01 4

FLAP WHEEL
Width 50 mm, for polishing stainless steel



Ø mm	Order Reference
200	6 37 21 001 00 1

Fine brushing

Nylon barrel brush
Ø 125 mm, grain 46, M 14, for brushing after removal by caustics, cleaning roof beams, restoration of antique furniture, roughing paint for new coats, deburring, and light derusting of metal parts



Order Reference	6 37 22 048 01 4
-----------------	------------------

General accessories WPO

Holder
for side handle, 360° rotatable



Order Reference	3 30 21 102 02 2
-----------------	------------------

Wheel arbor
for satin-finishing tools (cylinder and roller), clamp range 100 mm, chuck Ø 19 mm



Order Reference	6 38 03 067 02 8
-----------------	------------------

with clamping flange M 14, for polishing rings, clamping range 15-35 mm



Order Reference	6 38 03 027 03 8
-----------------	------------------

with clamping flange M 14, for abrasive fleece wheels, buffer, and polishing wheels clamping range 15-50 mm



Order Reference	6 38 03 066 02 4
-----------------	------------------

Safety guard
as hand guard



Order Reference	3 02 29 216 00 5
-----------------	------------------

Anti-vibration handle
M 8, vibration absorbing, to reduce the vibrations during longer jobs.



Order Reference	3 21 19 119 01 7
-----------------	------------------



Pipe sander

RS 12-70 E

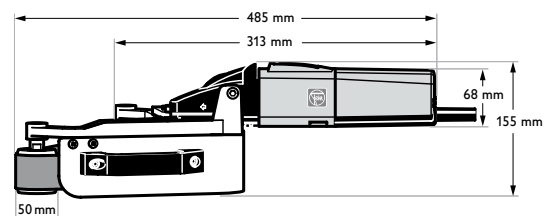
Pipe sander with extremely high sanding capacity for stainless steel pipes and pipe bends.

Technical data		
Model	RS 12-70 E	
Input	W	1200
Output	W	750
Speed, no load	R.P.M	2700-7000
Cutting speed	m/sec	22
Minimum wall clearance	mm	50
Weight	kg	3,8
Cable with plug	m	4
Pipes up to Ø	mm	8-80
Order Reference	7 221 13 50	

FEIN BENEFITS

- ▶ Effective sanding of welded seams thanks to optimum cutting speeds of the sanding belts.
- ▶ Infinitely variable speed for sanding, satin-finishing and high-gloss polishing of ready-fitted hand rails.
- ▶ Flexible sanding belts optimally adapt to even narrow pipe bends, creating surfaces without awkward transitions.
- ▶ 360° peripheral sanding in just 2 steps.
- ▶ Optional guide pulleys for narrow distances from the wall.
- ▶ Self-start lock.
- ▶ Restart protection.
- ▶ Wide range of accessories.
- ▶ Dustproof ball bearing.
- ▶ Carbon brushes with self-cutoff function.

For accessories, see page 186





Pipe sander

RS 12-70 E

Pipe sander with range of accessories from rough sanding to mirror polish.

Technical data

Model		RS 12-70 E
Input	W	1200
Output	W	750
Speed, no load	R.P.M	2700-7000
Cutting speed	m/sec	22
Minimum wall clearance	mm	50
Weight	kg	3,8
Cable with plug	m	4
Pipes up to Ø	mm	8-80
Order Reference	7 221 13 51	

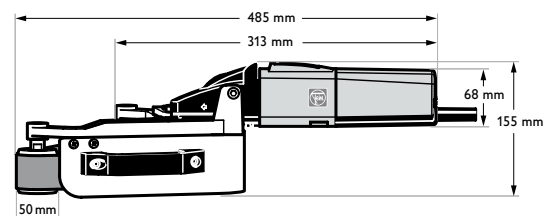
Included in price

2 x 10 pcs. polishing belts, 20x815 mm P120/P180, 2 x 10 pcs. polishing belts, 40x815 mm P120/P180, 5 fleece belts 20 x 820 mm very fine, 1 metal tool case

FEIN BENEFITS

- ▶ Effective sanding of welded seams thanks to optimum cutting speeds of the sanding belts.
- ▶ Infinitely variable speed for sanding, satin-finishing and high-gloss polishing of ready-fitted hand rails.
- ▶ Flexible sanding belts optimally adapt to even narrow pipe bends, creating surfaces without awkward transitions.
- ▶ 360° peripheral sanding in just 2 steps.
- ▶ Optional guide pulleys for narrow distances from the wall.
- ▶ Self-start lock.
- ▶ Restart lock.
- ▶ Wide range of accessories.
- ▶ Dustproof ball bearing.
- ▶ Carbon brushes with self-cutoff function.

For accessories, see page 186



Pipe processing

Basic set

Area of use, from sanding to satin-finishing. Consisting of: 2 x 10 sanding belts, 20 x 815 mm, P 120/P180, 2 x 10 sanding belts, 40 x 815 mm, P 120/P180, 5 fleece belts, 20 x 820 mm, very fine 280.



Order Reference 6 37 14 050 02 1

Polishing-set

Area of use, polishing to mirror polish. Consisting of: 2 x 10 sanding belts, 20 x 815 mm, P320/P400, 1 x 3 polishing belts, 20 x 815 mm, 1 tube pre-polishing cream, red (200 ml), 1 tube colouring paste, white (200 ml).



Order Reference 6 37 14 052 02 3

Ceramic sanding belts

20 x 815 mm

Grain

Grain	Order Reference
80	6 37 14 130 01 0

Sanding strips

20 x 815 mm



Grain	No. in pack	Order Reference
	pcs	
120	10	6 37 14 050 01 5
180	10	6 37 14 051 01 4
320	10	6 37 14 052 01 7
400	10	6 37 14 053 01 1

40 x 815 mm

Grain	No. in pack	Order Reference
	pcs	
120	10	6 37 14 054 01 9
180	10	6 37 14 055 01 3

Fleece strips

Very soft version
20 x 815 mm



Grain	No. in pack	Order Reference
	pcs	
80	5	6 37 14 056 01 6
120	5	6 37 14 057 01 0
280	5	6 37 14 058 01 8

Polishing belts

Very soft version
20 x 815 mm, pack of 3



Order Reference 6 37 26 010 01 8

Pre-polishing paste

red



Order Reference 6 37 26 008 01 2

Colouring paste

white



Order Reference 6 37 26 009 01 6

Viennese chalk

Special steel cleaning powder to remove polishing paste and finger prints, 1 kg

Order Reference 6 37 26 007 01 4

Guide pulleys

for confined spaces, minimum wall distance 50 mm

Order Reference 3 13 35 017 01 1

Metal tool case

unfilled

Order Reference 3 39 01 022 03 6



Eccentric Sander

MSf 636-1

Extremely powerful eccentric sander with optimum dust extraction for all surfaces.

Technical data		
Model	MSf 636-1	
Input	W	380
Speed, no load	R.P.M	7500
Stroke	mm	8,4
Hose connection Ø	mm	32
Connector thread backing pad		5/16" -24 UNF
Cable with plug	m	5
Weight	kg	1,7
Sanding pad Ø	mm	150
Order Reference	7 220 78	

Included in price

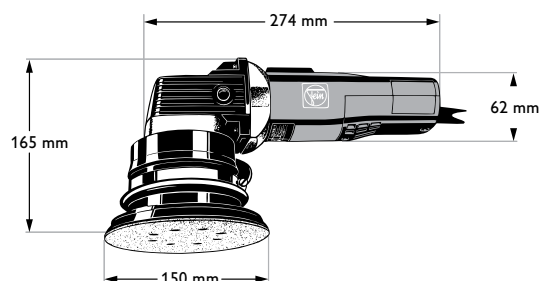
1 eccentric head Ø 150 mm, 1 backing pad, medium, Ø 150 mm, 1 suction wheel guard, 1 set of keys

FEIN BENEFITS

- ▶ Extra strong eccentric stroke means excellent sanding capacity for surfaces large or small.
- ▶ Hole pattern on sanding sheets, backing pad and pad edge makes for perfect dust extraction.
- ▶ Slimline motor for good handling.
- ▶ Durable metal gear head.
- ▶ Sanding sheets with hook and loop fastening.
- ▶ Carbon brushes with self-cutoff function.
- ▶ Wide range of accessories.

For accessories, see page 188

Surface processing



Sanding Ø 115 mm

Sanding pad

Ø 115 mm, without holes, with hook and loop fastener, hard

Order Reference 6 38 06 167 02 0

Eccentric head

Ø 115 mm



Order Reference 3 12 07 131 02 9

Sanding sheets

unperforated, Ø 115 mm
Application: Metal, car bodies, soldered points, welds, fibreglass. Quality: fully resin-bonded, "red" Features: very stable, high abrasion performance.

Grain	No. in pack	Order Reference
	pcs	
60	50	6 37 28 095 01 6
80	50	6 37 28 096 01 9
100	50	6 37 28 097 01 3
120	50	6 37 28 098 01 1

Sanding Ø 125 mm

Sanding pad

Ø 125 mm, perforated with hook and loop fastener, hard



Order Reference 6 38 06 103 02 7

medium

Order Reference 6 38 06 088 02 7

soft

Order Reference 6 38 06 117 02 5

Hook and loop fastener

Order Reference 3 14 26 028 00 9

Sanding pad

Ø 125 mm for MSf 636-1, without holes, soft with hook and loop fastener, hard

Order Reference 6 38 06 155 03 0

matching spare Velcro attachment
3 14 26 027 001.

Eccentric head

Ø 125 mm



Order Reference 3 12 07 109 01 4

Sanding sheets

perforated, Ø 125 mm, with Velcro rapid attachment
Application: Metal, car bodies, soldered points, welds, fibreglass. Quality: high-performance emery canvas, fully synthetic-resin bonded, corundum. Features: highly stable, high sanding capacity.

Grain	No. in pack	Order Reference
	pcs	
60	50	6 37 28 055 01 0

Application: wood, paints, filler, automotive paints, fibreglass, plastics. Quality: fully synthetic-resin bonded, medium bond, corundum. Feature: greatly reduces glazing, high sanding capacity, flexible.

Grain	No. in pack	Order Reference
	pcs	
80	50	6 37 28 001 01 6
100	50	6 37 28 002 01 9
180	50	6 37 28 004 01 1
220	50	6 37 28 005 01 5
240	50	6 37 28 006 01 8
280	50	6 37 28 007 01 2
320	50	6 37 28 008 01 0
400	50	6 37 28 058 01 5

Application: wood, paint, filler, automotive paints, fibreglass, plastics. Quality: fully synthetic-resin bonded, corundum. Feature: highly flexible.

Grain	No. in pack	Order Reference
	pcs	
80	50	6 37 27 107 01 4
180	50	6 37 27 110 01 8
220	50	6 37 27 111 01 7
240	50	6 37 27 112 01 0
280	50	6 37 27 113 01 4
320	50	6 37 27 114 01 2

Application: wood, paints, filler, automotive paints, fibreglass, plastics. Quality: fully synthetic-resin bonded, medium bond, corundum. Feature: greatly reduces glazing, high sanding capacity, flexible.

Grain	No. in pack	Order Reference
	pcs	
150	50	6 37 28 003 01 3

Sanding Ø 150 mm

Sanding pad

Ø 150 mm, with holes, with hook and loop fastener hard



Order Reference 6 38 06 101 02 0

medium

Order Reference 6 38 06 090 02 3

soft

Order Reference 6 38 06 114 02 4

Hook and loop fastener

Order Reference 3 14 26 030 00 5

Eccentric head

Ø 150 mm

Order Reference 3 12 07 103 01 3

Sanding sheets

perforated, Ø 150 mm, with Velcro rapid attachment
Application: Metal, car bodies, soldered points, welds, fibreglass. Quality: high-performance emery canvas, fully synthetic-resin bonded, corundum. Features: highly stable, high sanding capacity.

Grain	No. in pack	Order Reference
	pcs	
40	50	6 37 28 009 01 4
60	50	6 37 28 010 01 6
80	50	6 37 28 056 01 3
100	50	6 37 28 054 01 6

Application: wood, paint, automotive paints, filler, fibreglass, plastics. Quality: fully synthetic-resin bonded, corundum. Feature: greatly reduces glazing, flexible.

Grain	No. in pack	Order Reference
	pcs	
80	50	6 37 28 074 01 4
100	50	6 37 28 011 01 5
120	50	6 37 28 084 01 3
150	50	6 37 28 012 01 8
180	50	6 37 28 013 01 2
220	50	6 37 28 014 01 0
240	50	6 37 28 015 01 4
280	50	6 37 28 016 01 7
320	50	6 37 28 017 01 1
400	50	6 37 28 061 01 0

Application: wood, paint, filler, automotive paints, fibreglass, plastics. Quality: fully synthetic-resin bonded, corundum. Feature: highly flexible.

Grain	No. in pack	Order Reference
	pcs	
150	50	6 37 27 118 01 1
180	50	6 37 27 119 01 5
220	50	6 37 27 120 01 7
240	50	6 37 27 121 01 6
280	50	6 37 27 122 01 9
320	50	6 37 27 123 01 3

Application: Wood, metal, car bodies, welds. Quality: fully synthetic-resin bonded, light bond, corundum. Features: high sanding capacity.

Grain	No. in pack	Order Reference
	pcs	
40	50	6 37 28 072 01 2
60	50	6 37 28 073 01 6

Polishing

Lambskin

with Velcro rapid attachment.



Ø	Order Reference
mm	
125	6 37 23 008 00 0
150	6 37 23 009 00 4

General accessories

Bow

as additional handle



Order Reference 3 21 25 048 03 2

FEIN "Dustex" vacuum cleaner

Powerful wet and dry extractor for connecting power tools when working in the workshop and for assembly work.

You will find detailed information about the FEIN vacuum cleaner and "dust-free sanding" in the chapter on vacuum cleaners.





Pneumatic Random Orbit Sander

M 10 000-5 Compact pneumatic eccentric sander for industry and manual trades up to Ø 125

M 10 000-6 Compact pneumatic eccentric sander for industry and manual trades up to Ø 150 mm.

Technical data

Model		M 10 000-5	M 10 000-6
Operating pressure	bar	6	6
Air consumption	m ³ /min	0,51	0,51
Speed, no load	R.P.M	10 000	10 000
Stroke	mm	5	5
Hose connection Ø	mm	32	32
Connector thread backing pad		5/16" -24 UNF	5/16" -24 UNF
Hose size Ø	mm	6	6
Weight	kg	1,2	1,2
Sanding pad Ø	mm	125	150
Order Reference		7 520 15	7 520 16

Included in price

1 suction wheel guard, 1 air hose, 1 key

M 10 000-5

1 sanding pad Ø 125 mm

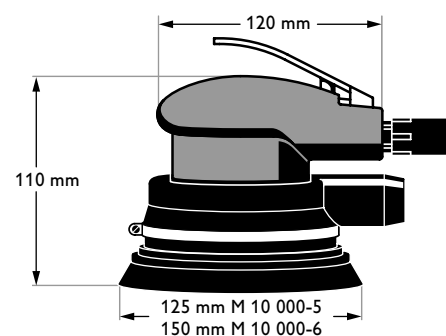
M 10 000-6

1 sanding pad Ø 150 mm

FEIN BENEFITS

- ▶ Small, lightweight pneumatic eccentric sander.
- ▶ Good sanding capacity for surfaces large or small.
- ▶ Hole pattern on sanding sheets, backing pad and pad edge makes for perfect dust extraction.
- ▶ Quiet-running rotating piston air engine.
- ▶ Sanding sheets with hook and loop fastening.
- ▶ Wide range of accessories.

For accessories, see page 190



Sanding Ø 125 mm

Sanding pad

Ø 125 mm, perforated with hook and loop fastener, hard



Order Reference 6 38 06 103 02 7

medium

Order Reference 6 38 06 088 02 7

soft

Order Reference 6 38 06 117 02 5

Ø 125 mm for MSf 636-1, without holes, soft with hook and loop fastener, hard

Order Reference 6 38 06 155 03 0

Hook and loop fastener

Order Reference 3 14 26 028 00 9

matching spare Velcro attachment 3 14 26 027 001.

Sanding sheets

perforated, Ø 125 mm, with Velcro rapid attachment
Application: Metal, car bodies, soldered points, welds, fibreglass. Quality: high-performance emery canvas, fully synthetic-resin bonded, corundum. Features: highly stable, high sanding capacity.

Grain	No. in pack	Order Reference
	pcs	
60	50	6 37 28 055 01 0

Application: wood, paints, filler, automotive paints, fibreglass, plastics. Quality: fully synthetic-resin bonded, medium bond, corundum. Feature: greatly reduces glazing, high sanding capacity, flexible.

Grain	No. in pack	Order Reference
	pcs	
80	50	6 37 28 001 01 6
100	50	6 37 28 002 01 9
180	50	6 37 28 004 01 1
220	50	6 37 28 005 01 5
240	50	6 37 28 006 01 8
280	50	6 37 28 007 01 2
320	50	6 37 28 008 01 0
400	50	6 37 28 058 01 5

Application: wood, paint, filler, automotive paints, fibreglass, plastics. Quality: fully synthetic-resin bonded, corundum. Feature: highly flexible.

Grain	No. in pack	Order Reference
	pcs	
80	50	6 37 27 107 01 4
180	50	6 37 27 110 01 8
220	50	6 37 27 111 01 7
240	50	6 37 27 112 01 0
280	50	6 37 27 113 01 4
320	50	6 37 27 114 01 2

Application: wood, paints, filler, automotive paints, fibreglass, plastics. Quality: fully synthetic-resin bonded, medium bond, corundum. Feature: greatly reduces glazing, high sanding capacity, flexible.

Grain	No. in pack	Order Reference
	pcs	
150	50	6 37 28 003 01 3

Sanding Ø 150 mm

Sanding pad

Ø 150 mm, with holes, with hook and loop fastener hard



Order Reference 6 38 06 101 02 0

medium

Order Reference 6 38 06 090 02 3

soft

Order Reference 6 38 06 114 02 4

Hook and loop fastener

Order Reference 3 14 26 030 00 5

Sanding sheets

perforated, Ø 150 mm, with Velcro rapid attachment
Application: Metal, car bodies, soldered points, welds, fibreglass. Quality: high-performance emery canvas, fully synthetic-resin bonded, corundum. Features: highly stable, high sanding capacity.

Grain	No. in pack	Order Reference
	pcs	
40	50	6 37 28 009 01 4
60	50	6 37 28 010 01 6
80	50	6 37 28 056 01 3
100	50	6 37 28 054 01 6

Application: wood, paint, automotive paints, filler, fibreglass, plastics. Quality: fully synthetic-resin bonded, corundum. Feature: greatly reduces glazing, flexible.

Grain	No. in pack	Order Reference
	pcs	
80	50	6 37 28 074 01 4
100	50	6 37 28 011 01 5
120	50	6 37 28 084 01 3
150	50	6 37 28 012 01 8
180	50	6 37 28 013 01 2
220	50	6 37 28 014 01 0
240	50	6 37 28 015 01 4
280	50	6 37 28 016 01 7
320	50	6 37 28 017 01 1
400	50	6 37 28 061 01 0

Application: wood, paint, filler, automotive paints, fibreglass, plastics. Quality: fully synthetic-resin bonded, corundum. Feature: highly flexible.

Grain	No. in pack	Order Reference
	pcs	
150	50	6 37 27 118 01 1
180	50	6 37 27 119 01 5
220	50	6 37 27 120 01 7
240	50	6 37 27 121 01 6
280	50	6 37 27 122 01 9
320	50	6 37 27 123 01 3

Application: Wood, metal, car bodies, welds. Quality: fully synthetic-resin bonded, light bond, corundum. Features: high sanding capacity.

Grain	No. in pack	Order Reference
	pcs	
40	50	6 37 28 072 01 2
60	50	6 37 28 073 01 6