



## For sparkling results when polishing – FEIN angle polishers.

When it comes to treating painted surfaces on vehicles and boats, FEIN has polished solutions even for continuous use under high loads: the FEIN angle polishers WPO 14-15 E and WPO 14-15 XE. Both are equipped with the high-performance FEIN HIGH POWER MOTOR and two-stage gear reduction for extremely high torque. The machine always operates in the optimum speed range, which remains constant even under load, for efficient working and brilliant results. The low weight and minimal development of heat, combined with the ergonomic

design, make this tool a pleasure to work with even in continuous use. What's more, FEIN supplies everything you need – the right high-quality accessories for every application.





## Vehicle / boat polisher

### WPO 14-15 E

Extremely powerful angle polisher for vehicle and boat repairs.

| Technical data         |                 |           |
|------------------------|-----------------|-----------|
| Model                  | WPO 14-15 E     |           |
| Input                  | W               | 1 200     |
| Output                 | W               | 750       |
| Speed, no load         | R.P.M           | 500-1 500 |
| Cable with plug        | m               | 4,0       |
| Weight                 | kg              | 2,4       |
| Polishing disc Ø       | mm              | 250       |
| Mounting thread        |                 | M 14      |
| <b>Order Reference</b> | <b>7 221 48</b> |           |

#### Included in price

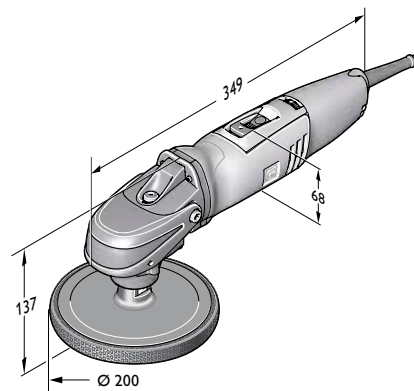
1 additional handle, 1 Grip hood

#### FEIN BENEFITS

- ▶ Ideal speed range with infinitely variable speed control for professional surface processing on vehicles and boats.
- ▶ Maximum speed stability at any load over the full setting range thanks to mechanical gear reduction in conjunction with the FEIN HIGH POWER MOTOR.
- ▶ Special system accessories for the efficient refurbishment of used car paintwork, new car paintwork and highly scratch-resistant paints, and for cleaning, sanding and polishing boat surfaces and gelcoat layers.
- ▶ Convenient speed adjustment.
- ▶ Does not heat up in continuous use.
- ▶ Handle cover for excellent ergonomics.
- ▶ Spindle lock.
- ▶ Self-start lock.
- ▶ Restart lock.
- ▶ Soft start.
- ▶ Carbon brushes with self-cutoff function.
- ▶ Can be converted to rotary sander with extractor hood and backing pad.
- ▶ Wide range of accessories.
- ▶ Available only in 230 V



For accessories, see page 194



# Vehicle polisher

## WPO 14-15 XE

Extremely powerful angle polisher for vehicle repairs.



| Technical data         |                 |           |
|------------------------|-----------------|-----------|
| Model                  | WPO 14-15 XE    |           |
| Input                  | W               | 1 200     |
| Output                 | W               | 750       |
| Speed, no load         | R.P.M           | 200-1 500 |
| Cable with plug        | m               | 4,0       |
| Weight                 | kg              | 2,4       |
| Polishing disc Ø       | mm              | 250       |
| Mounting thread        |                 | M 14      |
| <b>Order Reference</b> | <b>7 221 50</b> |           |

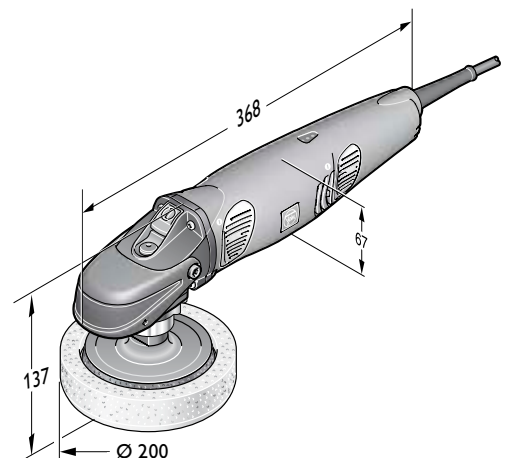
**Included in price**  
1 additional handle, 1 Grip hood

### FEIN BENEFITS

- ▶ Ideal speed range with infinitely variable speed control for professional surface processing on vehicles.
- ▶ Maximum speed stability at any load over the full setting range thanks to mechanical gear reduction in conjunction with the FEIN HIGH POWER MOTOR.
- ▶ Special system accessories for the efficient refurbishment of used car paintwork, new car paintwork and highly scratch-resistant paints, and for cleaning, sanding and polishing painted surfaces.
- ▶ Convenient speed adjustment.
- ▶ Does not heat up in continuous use.
- ▶ Handle cover for excellent ergonomics.
- ▶ Spindle lock.
- ▶ Self-start lock.
- ▶ Restart lock.
- ▶ Soft start.
- ▶ Carbon brushes with self-cutoff function.
- ▶ Wide range of accessories.
- ▶ Available only in 230V

Surface processing

For accessories, see page 194



**Lacquer set**

**Paint set for new cars**

Specially designed for secondary paintwork and relatively new used cars (one year old or less) with scratch-resistant paintwork and for use with nano-polishing agents. Plastic case contains: 1 application matrix; 1 support plate with hook and loop fastening, Ø 150 mm; 1 polishing pad Ø 150 mm, medium; 1 polishing pad, orange, Ø 150 mm; 1 waffle pad Ø 150 mm; 1 NANO polishing agent 250 ml; 1 NANO paint seal 250 ml; 1 spray wax 100 ml; 1 microfibre cloth; 1 cleaning brush.



Order Reference 6 37 23 028 02 0

**Paint set for used cars**

The set for preparing paintwork on used cars. Plastic case contains: 1 application matrix; 1 support plate with hook and loop fastening, Ø 150 mm; 1 polishing pad Ø 150 mm, medium; 1 polishing pad, orange, Ø 150 mm; 1 waffle pad Ø 150 mm; 1 lambskin Ø 150 mm; 1 sheet mini sanding discs (53x, K 2800); 1 manual sanding block; 1 moisturising cube; 1 NANO polishing agent 250 ml; 1 NANO paint seal 250 ml; 1 spray wax 100 ml; 1 microfibre cloth; 1 cleaning brush.



Order Reference 6 37 23 028 03 0

**Sanding**

**Sanding disc**

Micro-fine self-adhesive sandpaper, 2800 grain, for treating lacquer faults such as lacquer inclusions. 1 sheet of 53 sanding discs, Ø 30 mm. Fits on hand sanding block 6 37 33 002 01 0



Order Reference 6 37 17 221 01 0

**Humidification sponge**

Easy-to-use foam cube for hygienic moisturizing the sanding discs.



Order Reference 6 37 33 001 01 0

**Sanding block**

Easy-to-use sanding block for holding self-adhesive sanding discs on both sides.



Order Reference 6 37 33 002 01 0

**Polishing**

**NANO-polish 1000 ml**

Micro-fine polishing paste based on nanoparticles for machine processing of new and old lacquers. Silicone-free.



| Contents ml | Order Reference  |
|-------------|------------------|
| 250         | 6 37 26 011 01 0 |
| 1000        | 6 37 26 014 01 0 |

**Backing pad**

with Velcro attachment, M 14



| Ø mm | Order Reference  |
|------|------------------|
| 80   | 6 38 06 179 01 5 |
| 125  | 6 38 06 169 01 6 |
| 130  | 6 38 06 178 01 1 |
| 150  | 6 38 06 170 01 8 |
| 200  | 6 38 06 171 01 7 |

for lamb's fleece with tensioning cord, rubber coated, M 14



| Ø mm | Order Reference  |
|------|------------------|
| 120  | 6 38 06 012 00 8 |
| 170  | 6 38 06 030 00 4 |

for self-adhesive sanding sheets

| Ø mm | Order Reference  |
|------|------------------|
| 80   | 6 38 06 180 01 7 |

**Polishing sponge**

with Velcro rapid attachment, height 40 mm



| Ø mm | Model  | Order Reference  |
|------|--------|------------------|
| 100  | soft   | 6 37 23 024 01 8 |
| 100  | hard   | 6 37 23 023 01 0 |
| 125  | medium | 6 37 23 017 01 0 |
| 150  | medium | 6 37 23 018 01 8 |
| 160  | soft   | 6 37 23 026 01 5 |
| 160  | hard   | 6 37 23 025 01 2 |

matching support plate: for Ø 100 mm - support plate Ø 80 mm, for Ø 125 mm - support plate Ø 125 mm, for Ø 150 mm - support plate Ø 150 mm, for Ø 160 mm - Ø 130 mm

**Polishing sponge orange 150 mm**

Polishing sponge with fine pores, medium hard for new and old lacquers Ø 150 mm



Order Reference 6 37 23 028 01 0

**Waffled sponge**

Extremely fine and soft polishing sponge for removing holograms on dark lacquers. Ø 150 mm



Order Reference 6 37 23 029 01 0

**Lambskin**

with tensioning cord



| Ø mm | Order Reference  |
|------|------------------|
| 120  | 6 37 23 007 00 2 |
| 170  | 6 37 23 003 00 3 |

with Velcro rapid attachment.



| Ø mm | Order Reference  |
|------|------------------|
| 125  | 6 37 23 008 00 0 |
| 150  | 6 37 23 009 00 4 |
| 200  | 6 37 23 010 00 6 |

**Sealing**

**Nano lacquer varnish**

High-quality lacquer varnish with nanoparticles for machine processing. Brilliant high-gloss finish. Silicone-free



| Contents ml | Order Reference  |
|-------------|------------------|
| 250         | 6 37 26 012 01 0 |
| 1000        | 6 37 26 015 01 0 |

**Spray wax**

Sprayable lacquer varnish for cleaning and permanently sealing polished surfaces. Removes polishing agent residues from plastic parts.



| Contents ml | Order Reference  |
|-------------|------------------|
| 100         | 6 37 26 013 01 0 |

**Cleaning**

**Microfibre cloth**

Fine-mesh quality for cleaning problematic lacquer surfaces. Made seam-free for scratch- and lint-free work.



Order Reference 6 37 33 003 01 0

**Cleaning brush**

For cleaning and brushing out the lambskin and the polishing sponges



Order Reference 6 37 33 004 01 0

**General accessories**

**tool case**

Metal, 445 x 310 x 245 mm, 3.8 kg

Order Reference 3 39 01 098 01 8