

Versatility and long service life: the FEIN MULTIMASTER.

As a universal system for interior construction and renovation, the FEIN MULTIMASTER is the professional tool for people for whom versatility is essential – without sacrificing longevity. For renovation in the home, on boats or on cars, for instance. The QuickIN tool clamping system contributes to the universal usability of the FEIN MULTIMASTER by ensuring rapid tool changes. The FEIN MULTIMASTER is available in 3 different sets, consisting of different equipment and accessories. All in all, the oscillating motion and user-friendly accessories make the FEIN MULTIMASTER a universal power tool of the highest professional quality.





FEIN MULTIMASTER



The universal system for interior work and renovation.

FMM 250 - Start

The universal system for interior construction and renovation - MULTIMASTER Start

Technical data

Model	FMM 250	
Input	W	250
Oscillations	R.P.M	11 000 - 21 000
Weight	kg	1,2
Cable with plug	m	5
Sanding plate above corner	mm	80
Order Reference	7 229 36	

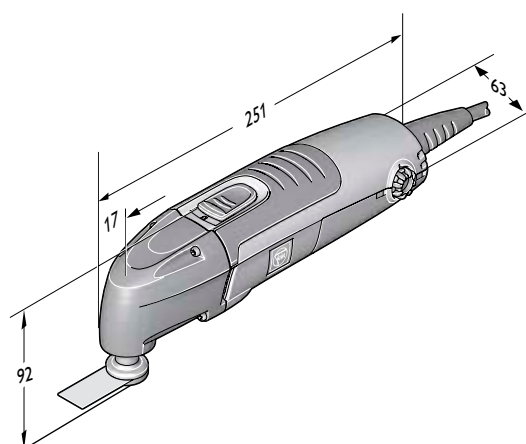
Included in price

1 FEIN MULTIMASTER FMM 250, 1 sanding pad, 5 sanding sheets each grit size (K 60, 80, 120), 1 Universal E-Cut saw blade (29 mm), 1 fixed spatula, 1 wrench and tensioning screws

FEIN BENEFITS

- ▶ Start entry-level version for high-quality results.
- ▶ Maximum quality and stability thanks to metal gear head, consistent use of ball / needle roller bearings and a motor designed for continuous use.
- ▶ Manual tool change with tightening key.
- ▶ 8-star tool mounting with excellent torque transfer.
- ▶ Electronic speed setting.
- ▶ Wide range of accessories available for all applications.
- ▶ Integrated interface for attaching additional system accessories.
- ▶ High-performance 250 watt motor.
- ▶ Optimum handling thanks to soft grip zone.
- ▶ Price includes set of useful accessories for key applications.

For accessories, see page 208 - 211



FEIN MULTIMASTER



The universal system for interior work and renovation.

FMM 250 Q - Select

The universal system for interior construction and renovation - MULTIMASTER Select

Technical data

Model	FMM 250 Q	
Input	W	250
Oscillations	R.P.M	11 000 - 21 000
Weight	kg	1,4
Cable with plug	m	5
Sanding plate above corner	mm	80
Fitting	QuickIN	
Order Reference	7 229 37 50	

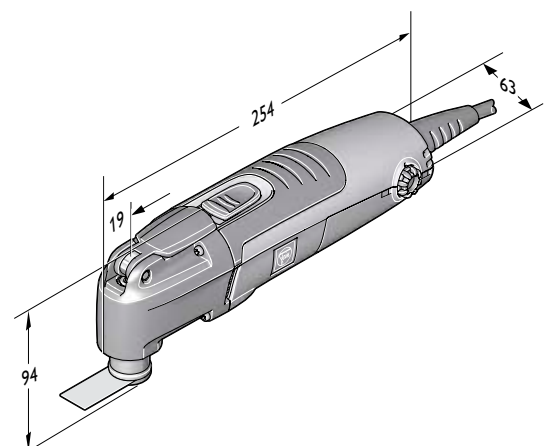
Included in price

1 FEIN MULTIMASTER FMM 250 Q, 1 sanding pad, 5 sanding sheets each grit size 60, 80, 120, 180, 1 Universal E-Cut saw blade (29 mm), Carbide Segment saw blade, HSS segment saw blade, 1 fixed spatula

FEIN BENEFITS

- ▶ Select version for wide range of applications.
- ▶ Maximum quality and stability thanks to metal gear head, consistent use of ball / needle roller bearings and a motor designed for continuous use.
- ▶ Convenient accessories exchange without keys using the QuickIN rapid clamping system.
- ▶ 8-star tool mounting with excellent torque transfer.
- ▶ Electronic speed setting.
- ▶ Wide range of accessories available for all applications.
- ▶ Integrated interface for attaching additional system accessories.
- ▶ High-performance 250 watt motor.
- ▶ Optimum handling thanks to soft grip zone.
- ▶ Price includes extensive set of accessories for almost all key applications.

For accessories, see page 208 - 211





FEIN MULTIMASTER



The universal system for interior work and renovation.

FMM 250 Q - Top

The universal system for interior construction and renovation - MULTIMASTER Top

Technical data

Model	FMM 250 Q	
Input	W	250
Oscillations	R.P.M	11 000 - 21 000
Weight	kg	1,4
Cable with plug	m	5
Sanding plate above corner	mm	80
Fitting	QuickIN	
Order Reference	7 229 37 51	

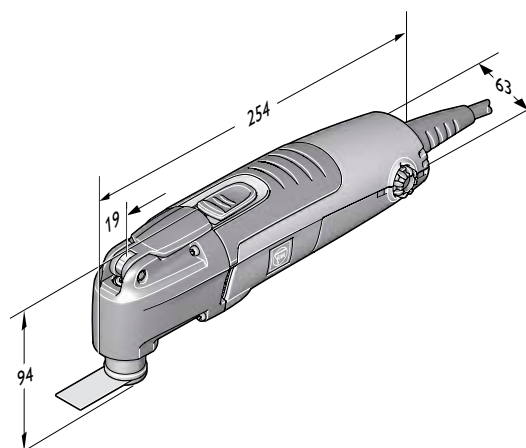
Included in price

1 FEIN MULTIMASTER FMM 250 Q, 1 sanding pad, 5 sanding sheets each grit size 60, 80, 120, 180, 1 Universal E-Cut saw blade (29 mm), 1 HSS segment saw blade, 1 carbide segment saw blade, 1 fixed spatula, 1 profile grinding set, 1 dust extraction device, 1 Sanding plate with holes, 5 sanding sheets perforated each grit size 60, 80, 120, 180, 1 carbide rasp (triangular), perforated, 1 plastic carrying case

FEIN BENEFITS

- ▶ TOP version for all essential renovation applications.
- ▶ Maximum quality and stability thanks to metal gear head, consistent use of ball / needle roller bearings and a motor designed for continuous use.
- ▶ Convenient accessories exchange without keys using the QuickIN rapid clamping system.
- ▶ 8-star tool mounting with excellent torque transfer.
- ▶ Electronic speed setting.
- ▶ Wide range of accessories available for all applications.
- ▶ Price includes high-quality plastic case and full equipment for (almost) all applications
- ▶ Integrated interface for attaching additional system accessories.
- ▶ High-performance 250 watt motor.
- ▶ Optimum handling thanks to soft grip zone.

For accessories, see page 208 - 211



FEIN MULTIMASTER



The universal system for interior work and renovation.

FMM 250 Q - Top Extra

The universal system for interior construction and renovation - MULTIMASTER Top Extra

Technical data

Model	FMM 250 Q	
Input	W	250
Oscillations	R.P.M	11 000 - 21 000
Weight	kg	1,4
Cable with plug	m	5
Sanding plate above corner	mm	80
Fitting	QuickIN	
Order Reference	7 229 37 52	

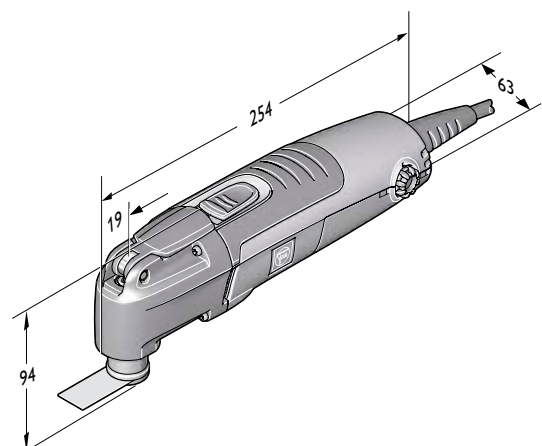
Included in price

1 FEIN MULTIMASTER FMM 250 Q, 1 sanding pad, 5 sanding sheets each grit size 60, 80, 120, 180, 1 Universal E-Cut saw blade (29 mm), 1 HSS segment saw blade, 1 carbide segment saw blade, 1 fixed spatula, 1 profile grinding set, 1 dust extraction device, 1 Sanding plate with holes, 5 sanding sheets perforated each grit size 60, 80, 120, 180, 1 carbide rasp (triangular), perforated, 1 plastic carrying case, 1 FEIN DUSTEX II

FEIN BENEFITS

- ▶ TOP version includes dust extractor.
- ▶ Maximum quality and stability thanks to metal gear head, consistent use of ball / needle roller bearings and a motor designed for continuous use.
- ▶ Convenient accessories exchange without keys using the QuickIN rapid clamping system.
- ▶ 8-star tool mounting with excellent torque transfer
- ▶ Electronic speed setting.
- ▶ Wide range of accessories available for all applications.
- ▶ Price includes high-quality plastic case and full equipment for (almost) all applications
- ▶ Integrated interface for attaching additional system accessories.
- ▶ High-performance 250 watt motor.
- ▶ Optimum handling thanks to soft grip zone.

For accessories, see page 208 - 211





FEIN MULTIMASTER



Battery operated, so you have unrestricted freedom of action.

MSx 315

Battery operated, so you have unrestricted freedom of action.

Technical data

Model		MSx 315
Current/Voltages	V	9,6
Oscillations	R.P.M	14 500
Weight with battery	kg	1,3
Sanding plate above corner	mm	80
Order Reference		7 129 02

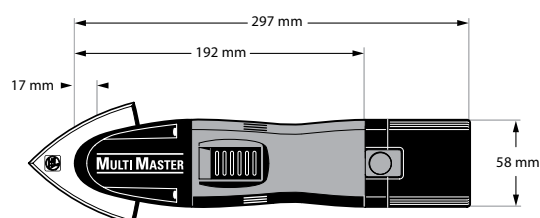
Included in price

1 sanding pad, 5 sanding sheets each grit size 60, 80, 120, 180, 1 HSS segment saw blade, 1 fixed spatula, 1 battery (800 mAh), 1 battery charger, 1 key, tensioning screws

FEIN BENEFITS

- ▶ Intelligent charging technology for long-lasting batteries.
- ▶ Wide range of accessories available for all applications.
- ▶ Ergonomic design.
- ▶ Manual tool change with tightening key.

For accessories, see page 208 - 211



Sawing

HSS saw blade, circular

For plastics, fibreglass, wood, putty, non-ferrous metal and sheet metal up to about 1 mm.



Ø mm	No. in pack		Order Reference
	pcs		
63	1		6 35 02 096 02 3
63	2		6 35 02 096 01 7
63	5		6 35 02 096 05 0
80	1		6 35 02 097 02 7
80	2		6 35 02 097 01 1
80	5		6 35 02 097 05 0

HSS segment saw blade

For plastics, fibreglass, wood, putty, non-ferrous metal and sheet metal up to about 1 mm. Ideal for working in corners.



Ø mm	No. in pack		Order Reference
	pcs		
80	1		6 35 02 106 01 5
80	2		6 35 02 106 07 0
80	5		6 35 02 106 08 0

HSS saw blade, circular, cranked

For plastics, fibreglass, wood, putty, non-ferrous metal and sheet metal up to about 1 mm, flush to the surface.



Ø mm	No. in pack		Order Reference
	pcs		
90	1		6 35 02 144 01 4
90	5		6 35 02 144 02 0

Cutting paste

Lubricating agents for working on sheet metals.



Order Reference	3 21 32 020 12 9
-----------------	------------------

Segment saw blade, angled

Only for soft materials. Ideal for working in corners, flush to the surface.



Ø mm	Order Reference	
	mm	
84		6 35 02 113 01 9

Standard E-Cut saw blade, narrow (35 mm)

Crossed tothing for all wood, plasterboard, and plastics jobs. Saw wood up to 50 mm, plasterboard and soft plastics. You can plunge in easily at any point in the material.



Width mm	No. in pack		Order Reference
	pcs		
35	1		6 35 02 133 01 7
35	3		6 35 02 133 03 0
35	10		6 35 02 133 04 0

Standard E-Cut saw blade, wide (65 mm)

Crossed tothing for all wood, plasterboard, and plastics jobs. Saw wood up to 50 mm, plasterboard and soft plastics. You can plunge in easily at any point in the material.



Width mm	No. in pack		Order Reference
	pcs		
65	1		6 35 02 134 01 5
65	3		6 35 02 134 02 5
65	10		6 35 02 134 03 0

Precision E-Cut saw blade, narrow (35 mm)

Double-row original Japan tothing, for top-precision cuts, and clean cutting edges even freely by hand. Highest cutting speed and precision thanks to double-row Japan tothing. For wood up to 50 mm, plasterboard and soft plastics.



Width mm	No. in pack		Order Reference
	pcs		
35	1		6 35 02 126 01 3
35	3		6 35 02 126 03 0
35	10		6 35 02 126 04 0

Precision E-Cut saw blade, wide (65 mm)

Double-row original Japan tothing, for top-precision cuts, and clean cutting edges even freely by hand. Highest cutting speed and precision thanks to double-row Japan tothing. For wood up to 50 mm, plasterboard and soft plastics.



Width mm	No. in pack		Order Reference
	pcs		
65	1		6 35 02 127 01 7
65	3		6 35 02 127 02 0
65	10		6 35 02 127 03 0

Universal E-Cut saw blade, long (60 mm)

Bi-metal teeth, cranked, also suitable for radii, high speed cut, sheet metal (400 N/mm²) up to about 2 mm and plastics, aluminium profiles, copper pipes, wood, plasterboard, and almost all plastics.

Broad range of applications with bi-metal teeth. Saws wood up to 50 mm, plastics, sheet metal up to 2 mm, copper or aluminium pipes and profiles.



Width mm	No. in pack		Order Reference
	pcs		
29	1		6 35 02 151 01 8
29	3		6 35 02 151 02 0
29	10		6 35 02 151 03 0

Broad range of applications with bi-metal teeth. Saws wood up to 50 mm, plastics, sheet metal up to 2 mm, copper or aluminium pipes and profiles.



Width mm	No. in pack		Order Reference
	pcs		
44	1		6 35 02 152 01 0
44	3		6 35 02 152 02 0
44	10		6 35 02 152 03 0

HSS saw blade wood

Round HSS saw blade wood – the "mini circular saw" is idea for long, straight cuts and for cutting out of installed parquet, laminate and wall panels.



Ø mm	No. in pack		Order Reference
	pcs		
100	1		6 35 02 154 01 0

Depth stop

Fits all E-CUT saw blades as well as the HSS saw blade wood. Suitable only for the new FEIN MULTIMASTER FMM 250/250 Q.



Order Reference	3 26 07 065 01 0
-----------------	------------------

HSS saw blade with depth stop

Order Reference	3 26 07 065 02 0
-----------------	------------------

E-Cut-Combo

Consisting of 3 different E-Cut saw blades: 1 x E-Cut Precision 65 mm wide, 1 x E-Cut Standard 35 mm wide, 1 x E-Cut Universal 44 mm wide. With these blades, you are equipped for any sawing job.

Order Reference	6 35 02 127 04 0
-----------------	------------------

MiniCut and File set

For cuts as of 10 mm. 2 saw blades for wood and soft plastics, 2 HSS saw blades for hard plastics, fibreglass and sheet metal up to 1 mm, 1 diamond file, 1 carbide file.



Order Reference	6 39 01 025 06 0
-----------------	------------------

MiniCut saw blade

For wood and other soft materials, plunge depth 30 mm, pack of 2.



Width mm	No. in pack pcs	Order Reference
10	2	6 35 02 132 01 3
20	2	6 35 02 131 01 0

MiniCut HSS saw blade

For non-ferrous metals and plastics, plunge depth 20 mm, pack of 2.



Width mm	No. in pack pcs	Order Reference
10	2	6 35 02 130 01 1
20	2	6 35 02 129 01 9

Diamond file

For sharpening blades and cutters.



Grain	Width	
	mm	Order Reference
extra fine	10	6 37 06 014 02 6
Fein	20	6 37 06 013 02 8
Normal	20	6 37 06 012 02 4

Carbide file

For filing out cut-outs as well as for deburring. Fits on MINICUT and file set.



Order Reference	6 37 06 015 01 0
-----------------	------------------

Rasping

Carbide rasp, triangular
carbide-coated

For rough sanding of filler, tile adhesives, concrete, stone and wood. For use with or without dust extractor.



Order Reference	6 37 31 001 01 4
-----------------	------------------

Carbide rasp, finger-shaped

For rough sanding of filler, tile adhesives, concrete, stone and wood. The finger shape, coated on both sides, is especially well suited for artistic work.



Order Reference	6 37 31 002 01 7
-----------------	------------------

Remove grouts

Carbide segment saw blade

For cutting out damaged tile joints and for cutting grooves in plaster, porous concrete and similar construction materials.



Ø mm	Order Reference
63	6 35 02 118 01 6

Diamond-coated saw blade

For cutting through marble and concrete trass joints. Little dust is created, long service life.



Ø mm	Order Reference
63	6 35 02 105 01 2

Diamond-coated segment saw blade

For cutting out damaged tile joints and for cutting grooves in plaster, porous concrete and similar construction materials. Long service life.



Order Reference	6 35 02 114 01 7
-----------------	------------------

Cleaning block

Rhombus for cleaning the carbide tools and diamond-coated tools.



Order Reference	6 37 19 007 01 0
-----------------	------------------

Scraping

Fixed Scraper Blade

For removing tough old lacquers, remainders of adhesives, carpeting, tile adhesives and underseal coatings.



Order Reference	6 39 03 178 01 7
-----------------	------------------

Flexible Scraper Blade

To remove silicone and acrylic joints in sanitary areas as well as stickers.



Order Reference	6 39 03 165 01 3
-----------------	------------------

Sanding

Sanding pad set, unperforated

For sanding without extraction. 2-pack.



No. in pack pcs	Order Reference
2	6 38 06 129 02 6

Sanding pad set, plastic

With plastic backing plate to avoid scratch marks. Pack of 2.



No. in pack pcs	Order Reference
2	6 38 06 153 02 2

Sanding pad set, flat

for very narrow openings (slats of window shutters etc.). Pack of 2



No. in pack pcs	Order Reference
2	6 38 06 142 02 9

Set of sanding sheets

For universal application on nearly all surfaces. Corundum abrasive grain and full resin bond guarantee high abrasion performance. Each with 10 sanding sheets, unperforated, with Velcro rapid attachment, grain 60, 80, 120, 180, 240.



Order Reference	6 37 17 082 03 3
-----------------	------------------

Sanding sheets

Unperforated, with Velcro attachment. For universal application on nearly all surfaces.

Grain	No. in pack	
	pcs	Order Reference
36	5	6 37 17 086 04 8
40	5	6 37 17 081 04 6
60	5	6 37 17 082 04 9
80	5	6 37 17 083 04 3
100	5	6 37 17 084 04 1
120	5	6 37 17 085 04 5
150	5	6 37 17 087 04 2
180	5	6 37 17 088 04 0
220	5	6 37 17 089 04 4
240	5	6 37 17 090 04 6

36	50	6 37 17 086 01 0
40	50	6 37 17 081 01 8
60	50	6 37 17 082 01 1
80	50	6 37 17 083 01 5
100	50	6 37 17 084 01 3
120	50	6 37 17 085 01 7
150	50	6 37 17 087 01 4
180	50	6 37 17 088 01 2
220	50	6 37 17 089 01 6
240	50	6 37 17 090 01 8

Supersoft sanding pad

For special applications such as aluminium rims and paint repair. Use only with "sanding sheets, supersoft", 2-pack.



No. in pack pcs	Order Reference
2	6 38 06 141 02 6

Supersoft sanding sheets

Special sanding sheets for vehicle painting works, repairs, paint runs, overspraying, wheel-rim painting, etc. Only to be used in conjunction with the sanding pad 6 38 06 141 02 6. For special areas of application.



Grain	No. in pack	Order Reference
pcs		
240	50	6 37 17 126 01 5
320	50	6 37 17 127 01 9
400	50	6 37 17 128 01 7
500	50	6 37 17 179 01 6

Profile sanding set

Consisting of 1 holder and 6 different profiles: 1 V-form for 90° angle, 1 trapezium for tongue-and-groove connections, 1 for straight profiles, 1 for convex forms (large), 1 each for concave and convex forms (small), as well as 5 sanding sheets grit 80, 120, and 180.



Order Reference 6 38 06 183 01 3

Sandpaper for profile sanding set

For nearly all materials, e.g. wood, metal, lacquer and plastics. pack of 25.



Grain	No. in pack	Order Reference
pcs		
80	25	6 37 17 217 01 6
120	25	6 37 17 218 01 4
180	25	6 37 17 219 01 8

Stone sanding set

Universal application in the fields of stone processing and stone products. Consists of 5 of each sanding sheet grades, without holes, grit 40, 80, 120, 220, 320, 400, 600, 800, 1 sanding pad, without holes, with aluminium and plastic backing plate, 1 felt polishing pad.

Order Reference 6 38 06 129 06 7

Stone sanding sheets

Special for processing natural and artificial stone. In 8 steps for rough to finishing sanding.

Grain	No. in pack	Order Reference
pcs		
40	50	6 37 17 120 01 4
80	50	6 37 17 121 01 3
120	50	6 37 17 122 01 6
220	50	6 37 17 123 01 0
320	50	6 37 17 124 01 8
400	50	6 37 17 125 01 2
600	50	6 37 17 175 01 7
800	50	6 37 17 176 01 0

Sanding finger

For use in extremely tight and hidden spots, in channels, grooves, openings, folds and joints. Also for mould-making, in concave and convex forms. 2-pack.



Height	No. in pack	Order Reference
mm	pcs	
7	2	6 38 06 159 02 3

Sanding sheets for sanding fingers

With Velcro rapid attachment, fully bonded with artificial resin, high sanding capacity, corundum. For use on: wood, metal, soldered joints, fibreglass, plastic, paint, filler, leather. Pack of 20



Grain	No. in pack	Order Reference
pcs		
40	20	6 37 17 184 01 2
60	20	6 37 17 185 01 6
80	20	6 37 17 186 01 9
100	20	6 37 17 187 01 3
120	20	6 37 17 188 01 1
150	20	6 37 17 189 01 5
180	20	6 37 17 190 01 7
220	20	6 37 17 191 01 6
240	20	6 37 17 192 01 9

Sanding pad set, perforated

For grinding with dust extractor. 2-pack.



No. in pack	Order Reference
pcs	
2	6 38 06 136 02 9

Sanding sheets, perforated

For sanding with dust extractor. For universal application on nearly all surfaces. Corundum abrasive grain and full resin bond guarantee high abrasion performance. From grain 36 to 280.



Grain	No. in pack	Order Reference
pcs		
36	5	6 37 17 107 04 9
40	5	6 37 17 108 04 7
60	5	6 37 17 109 04 1
80	5	6 37 17 110 04 3
100	5	6 37 17 111 04 2
120	5	6 37 17 112 04 5
150	5	6 37 17 113 04 9
180	5	6 37 17 114 04 7
220	5	6 37 17 115 04 1
240	5	6 37 17 116 04 4

36	50	6 37 17 107 01 1
40	50	6 37 17 108 01 9
60	50	6 37 17 109 01 3
80	50	6 37 17 110 01 5
100	50	6 37 17 111 01 4
120	50	6 37 17 112 01 7
150	50	6 37 17 113 01 1
180	50	6 37 17 114 01 9
220	50	6 37 17 115 01 3
240	50	6 37 17 116 01 6

Set of sanding sheets

10 of each type of sanding sheet, perforated with Velcro rapid attachment, corundum, grit 60, 80, 120, 180, and 240.

Order Reference 6 37 17 109 03 5

Adapter hose

For connecting the dust extraction device to the most widely-used household dust extractors. The adapter hose is pushed onto the hose sleeve for hose connections of Ø 27 mm.

Model	Order Reference
thin	3 06 05 110 00 8
thick	3 06 05 109 00 6

Sanding with dust extraction.

Sanding pad set, perforated

For sanding with dust extractor. 2-pack.



No. in pack	Order Reference
pcs	
2	6 38 06 136 02 9

Set of sanding sheets

10 of each type of sanding sheet, perforated with Velcro rapid attachment, corundum, grit 60, 80, 120, 180, and 240.

Order Reference 6 37 17 109 03 5

Vacuum Cleaner 1300 W

Easy-to-use dust extractor for wet and dry use with automatic starting. The ideal dust extractor for the FEIN MULTIMASTER. You will find detailed information about the FEIN vacuum cleaner and "dust-free sanding" in the chapter on vacuum cleaners.



Polishing

Set of felt polishing pads

For polishing metal parts, as well as for polishing and decorative polishing of stone and stone products. Gelcoat layers on boats can also be polished. Pack of 2.



No. in pack	Order Reference
pcs	
2	6 38 06 140 02 7

Burnishing compounds for the respective material are available from specialist retailers.

Cutting

Segment blade, concave

For cutting soft materials e.g. felt, leather, polystyrene.



Order Reference 6 39 03 193 01 8

Segment blade, convex

For cutting rigid materials, e.g. floor tiles made of plastic, linoleum, rubber, cardboard, leather, wire meshing, looped fabric/carpets, and many others.



Order Reference 6 39 03 192 01 4

Cutting blade

For cutting away panelled deck sealant materials quickly and safely. Also ideal for difficult areas such as cabins, rails, gunwales, cleats, and curves.



Blade width mm	Order Reference
3	6 39 03 200 01 7
4	6 39 03 201 01 6
5	6 39 03 202 01 9

Extraction

Dust Extraction

2 sanding pads, perforated; 5 of each type of sanding sheet, perforated, grain 60, 80 and 120; 1 extractor hood with suction tube; 2 hose nozzles for hose connection Ø 27 and 32 mm plus 2 adapters for connection to the most common domestic vacuum cleaners. For FEIN MULTIMASTER.

Order Reference 9 26 02 081 01 0

Vacuum Cleaner 1300 W

Easy-to-use dust extractor for wet and dry use with automatic starting. The ideal dust extractor for the FEIN MULTIMASTER.

You will find detailed information about the FEIN vacuum cleaner and "dust-free sanding" in the chapter on vacuum cleaners.



System case

Carrying case, unfilled

Plastic case with practical inner spacing, without machine and accessories. Optimally suited for storing the FEIN MULTIMASTER START and FEIN MULTIMASTER Select.



Order Reference 3 39 01 118 03 0

Carrying case, filled

The plastic case with TOP fittings for your SELECT package. 1 sanding pad, perforated for dust extraction, 5 perforated sanding sheets, perforated, grit size 60, 80, 120, 180. 1 dust extractor, 2 adapters for 27 mm and 32 mm (1 1/16" and 1 1/4") dia. vacuum hose and 2 adapters for connection to the most popular household vacuums, profile sanding set, 1 tungsten carbide rasp.



Order Reference 3 39 01 118 17 0

General accessories MULTIMASTER

Table-top and drill jigs support

Perfect for precision cut-outs: The FEIN MULTIMASTER can be clamped to a table or work bench and the work piece safely fed to it. Clamping in drill stands with a standard 43 mm dia. collar clamp is possible. Only intended for the new FEIN MULTIMASTER FMM 250/250Q Q.



Order Reference 9 26 02 083 01 0

Set of clamping screws

Set of clamping screws for older FEIN MULTIMASTER models MSx 636, MSx 636-1 and MSx636 II. Pack of 2.

Order Reference 4 30 33 087 06 5

Intermediate ring

Can be used for all FEIN MULTIMASTER accessories with star adaptor. The form-fitting adaptor provides up to 40% better torque transfer.



Order Reference 3 01 09 189 01 0

Special accessories for MSx 315

Rapid charger ALG 20

Processor-controlled, charging time approx. 20 to 60 min depending on battery, power consumption 110 W, charging current max. 4.1 A, weight 1.0 kg, length of cable 1.9 m, including adaptor for industrial interface (AccuTec)



Order Reference 9 26 04 073 01 4

Storage battery

NiCd, 9.6 V, 1700 mAh, 0.605 kg



Order Reference 9 26 04 030 02 8

Hanging hook

For attaching to belt loop.

Order Reference 3 21 25 058 00 0