

For flexible use in any situation: FEIN magnetic drill jigs.

For use at the construction site or in the workshop, FEIN rotary drills can be used in combination with flexible electromagnetic drill jigs. This results in professional tool solutions that allow you to work as efficiently as possible in any given situation. This includes, for example, drilling with twist and core bits, counter-sinking, reaming and tapping in horizontal, vertical or overhead work. The optional system accessories ensure perfect functionality and efficient working even in difficult situations, such as drilling on pipes, in anti-magnetic materials or on textured surfaces.



Magnetic Drill Jigs

MBS 16

Flexible magnetic drill jig for rotary drills with up to 16 mm drill capacity.



Technical data

Model	MBS 16	
Input	W	60
Socket max.	A	16
Cable with plug	m	4
Weight	kg	8
Capacity in steel max. Ø		
Twist drill max. Ø	mm	16
Tapping		M 12
Magnetic holding power	N	9000
Height (drill jigs)	mm	325
Stroke	mm	135
Total stroke range	mm	260
Magnetic foot dimensions	mm	160 x 80
For collar Ø	mm	43
Order Reference	9 03 17	

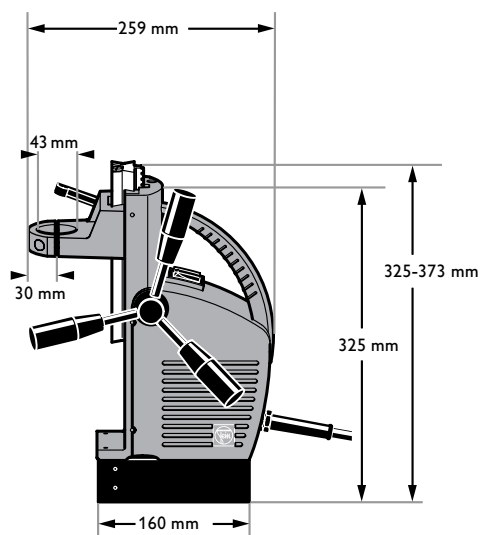
Included in price

1 clamping strap, 2 reducing sleeves for 33 and 38 mm dias, 1 swarf hook, 1 swarf guard, 1 key

FEIN BENEFITS

- ▶ Universal suitability for drilling, tapping, reaming and countersinking.
- ▶ High magnetic holding power and safety circuit guarantee safe working in any position.
- ▶ Infinitely variable stroke range setting for fast and safe tool changes, without need to remove magnetic drill jigs from the tool.
- ▶ Compact design.
- ▶ Optimum power-to-weight ratio.
- ▶ Robust and accurate dual dove-tail guide
- ▶ Universal use for drive machines with clamping collar.
- ▶ Available only in 230 V

For accessories, see page 46





Magnetic Drill Jigs

MBS 23 Flexible magnetic drill jig for rotary drills with up to 23 mm drill capacity.

MBS 23 F Flexible magnetic drill jig with fine adjustment for rotary drill with up to 23 mm drill capacity.

Technical data			
Model		MBS 23	MBS 23 F
Input	W	60	60
Socket max.	A	16	16
Cable with plug	m	4	4
Weight	kg	13,3	14,5
Capacity in steel max. Ø			
Core drill	mm	12-65	12-65
Twist drill max. Ø	mm	13	13
Twist drill with MK 3	mm	23	23
Tapping		M 20	M 20
Reamer Ø	mm	23	23
Magnetic holding power	N	12000	12000
Drilling pressure max.	N	4600	4600
Height (drill jigs)	mm	406	438
Stroke	mm	178	178
Total stroke range	mm	370	370
Swivel zone		-	± 8°
Adjustment range	mm	-	± 6
Magnetic foot dimensions	mm	184 x 92	184 x 92
For collar Ø	mm	53	53
Order Reference		9 03 15	9 03 14

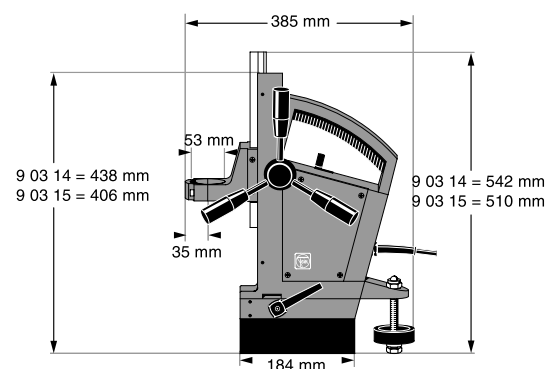
Included in price

1 clamping strap, 1 swarf hook, 1 swarf guard, 2 keys

FEIN BENEFITS

- ▶ Universal suitability for drilling, tapping, reaming and countersinking.
- ▶ High magnetic holding power and safety circuit guarantee safe working in any position.
- ▶ Infinitely variable stroke range setting for fast and safe tool changes, without need to remove magnetic drill jigs from the tool.
- ▶ Compact design.
- ▶ Optimum power-to-weight ratio.
- ▶ Robust and accurate dual dove-tail guide
- ▶ Universal use for drive machines with clamping collar.
- ▶ Available only in 230 V

For accessories, see page 46



Magnetic Drill Jigs

MBS 32 F

Flexible magnetic drill jig with fine adjustment for rotary drills with up to 32 mm drill capacity.



Technical data

Model	MBS 32 F	
Input	W	130
Socket max.	A	16
Cable with plug	m	4
Weight	kg	21,5
Capacity in steel max. Ø		
Core drill	mm	12-65
Twist drill max. Ø	mm	16
Twist drill with MK 3	mm	32
Tapping		M 20
Reamer Ø	mm	40
Magnetic holding power	N	18000
Drilling pressure max.	N	7000
Height (drill jigs)	mm	513
Stroke	mm	178
Total stroke range	mm	408
Swivel zone		350°
Adjustment range	mm	±10
Magnetic foot dimensions	mm	220 x 100
For collar Ø	mm	63
Order Reference	9 03 16	

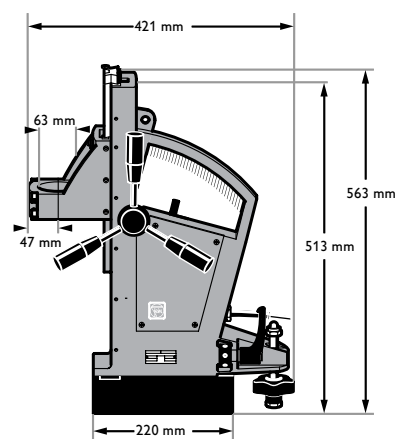
Included in price

1 clamping strap, 1 swarf hook, 1 swarf guard, 2 keys

FEIN BENEFITS

- ▶ Universal suitability for drilling, tapping, reaming and countersinking.
- ▶ Fine adjustment of drill spindle for easy alignment of machine without constantly removing and refitting the magnet.
- ▶ High magnetic holding power and safety circuit guarantee safe working in any position.
- ▶ Infinitely variable stroke range setting.
- ▶ Compact design.
- ▶ Optimum power-to-weight ratio.
- ▶ Robust and accurate dual dove-tail guide
- ▶ Universal use for drive machines with clamping collar.
- ▶ Available only in 230 V

For accessories, see page 46



General accessories

Suction plate

for anti-magnetic materials,
250 x 330 x 110 mm



Order Reference 9 26 02 054 01 6

Vacuum plate

for anti-magnetic materials and
structured bases (corrugated sheet,
stud plate etc.) 396 x 200 x 77 mm



Order Reference 9 26 02 057 01 7

Pipe drilling device

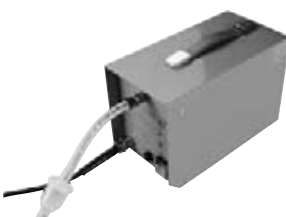
incl. clamping strap, for positioning
bores on pipes with pipe Ø of 60 to
300 mm, 220 x 130 mm.



Order Reference 9 26 02 055 01 0

Vacuum pump

Suction rate 0,015 m³/min, -0,8 bar,
92 W, weight 2,5 kg including suction
hose



Order Reference 9 26 01 022 01 3

MBS 16

Reducing rings

for attaching machines with collar
Ø 33 mm.



Ø	Order Reference
mm	
43 / 33	3 26 23 012 01 9

for attaching machines with collar
Ø 38 mm



Ø	Order Reference
mm	
43 / 38	3 26 23 013 00 4

MBS 23, MBS 23 F

Reducing rings

for attaching machines with collar
Ø 33 mm.



Ø	Order Reference
mm	
53 / 33	3 26 23 011 01 6

for attaching machines with collar
Ø 38 mm



Ø	Order Reference
mm	
53 / 38	3 26 23 010 00 8

for attaching machines with collar
Ø 43 mm



Ø	Order Reference
mm	
53 / 43	3 26 23 009 00 6