

Large angle grinders from FEIN: no compromise on performance or safety.

There are virtually no other power tools that combine more application technology than the especially powerful and robust FEIN angle grinders: patented rapid clamping system, patented electric brake and ergonomic device shape for working conditions that are spot on. We are particularly proud of one of these patents: since we invented the electric brake, FEIN angle grinders have automatically offered optimum safety. FEIN angle grinders are available in various versions – with disc diameters of between 180 and 230 mm and in two performance classes of 2,000 or 2,500 watts.





Angle grinders Ø 180 mm

WSG 20-180

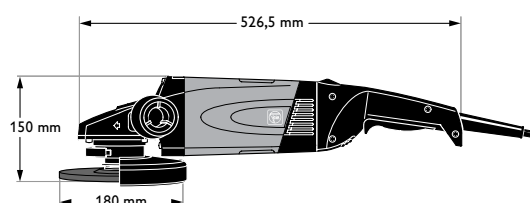
Powerful angle grinder for grinding work.

Technical data		
Model	WSG 20-180	
Input	W	2000
Output	W	1250
Speed, no load	R.P.M	8500
Cable with plug	m	4
Weight	kg	4,5
Disc fitting		
Flange		M 14
Grinding wheel Ø	mm	180
Elast. Backing pad Ø	mm	180
Order Reference	7 221 07	
Included in price		
1 wheel guard, 1 pair of flanges, 1 additional handle, 1 set of keys		

FEIN BENEFITS

- ▶ HIGH-POWER-MOTOR - high grinding capacity over the entire operating range up to 150% load.
- ▶ Flat drive head allows the tool to be plunged into workpieces.
- ▶ Soft start for safe handling from the word go.
- ▶ Rear handle can be rotated through 4 positions.
- ▶ Dustproof ball bearing.
- ▶ Sealed electronics parts.
- ▶ Carbon brushes with self-cutoff function.
- ▶ Restart lock.
- ▶ Also available with Auto Stop for maximum safety (7 221 07 29).

For accessories, see page 147





Angle grinders Ø 180 mm

WSG 25-180

The most powerful FEIN angle grinder for extreme grinding work.

Technical data		
Model	WSG 25-180	
Input	W	2500
Output	W	1700
Speed, no load	R.P.M	8500
Cable with plug	m	4
Weight	kg	5,1
Disc fitting		
Flange		M 14
Grinding wheel Ø	mm	180
Elast. Backing pad Ø	mm	180
Order Reference	7 221 26	

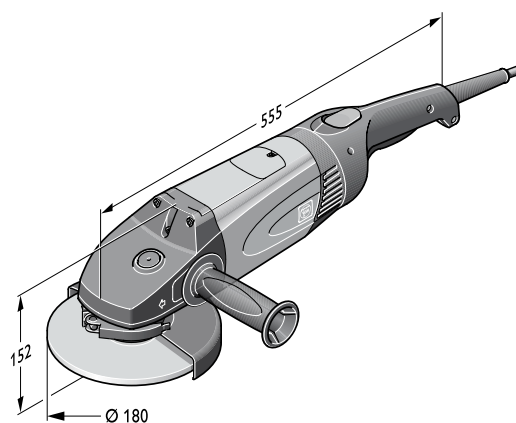
Included in price

1 wheel guard, 1 pair of flanges, 1 additional handle, 1 set of keys

FEIN BENEFITS

- ▶ With the 2500 watt HIGH POWER MOTOR, the most powerful FEIN angle grinder with outstanding grinding capacity.
- ▶ Flat drive head allows the tool to be plunged into workpieces.
- ▶ Soft start for safe handling from the word go.
- ▶ Rear handle can be rotated through 4 positions.
- ▶ Dustproof ball bearing.
- ▶ Sealed electronics parts.
- ▶ Carbon brushes with self-cutoff function.
- ▶ Restart lock.
- ▶ Also available with Auto Stop for maximum safety (7 221 26 29).
- ▶ Available only in 230V

For accessories, see page 147





Angle grinders Ø 180 mm

WSB 20-180

Powerful safety angle grinder for grinding work.

Technical data		
Model	WSB 20-180	
Input	W	2000
Output	W	1250
Speed, no load	R.P.M	8500
Cable with plug	m	4
Weight	kg	4,8
Disc fitting	QuickIN	
Mounting hole Ø	mm	22,23
Grinding wheel Ø	mm	180
Elast. Backing pad Ø	mm	180
Order Reference	7 221 05	

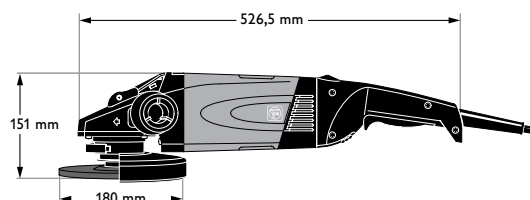
Included in price

1 wheel guard, 1 clamp for flexible grinding/cutting discs, 1 additional handle

FEIN BENEFITS

- ▶ HIGH-POWER-MOTOR - high grinding capacity over the entire operating range.
- ▶ Complete safety package with electric brake system EBS, rapid clamping system QuickIN, self-start lock, restart lock, and soft start.
- ▶ Tool-free FEIN QuickIN rapid clamping system - safely clamps tools without a key.
- ▶ Rear handle can be rotated through 4 positions.
- ▶ Dustproof ball bearing.
- ▶ Sealed electronics parts.
- ▶ Carbon brushes with self-cutoff function.
- ▶ Also available with Auto Stop for maximum safety (7 221 05 29).
- ▶ Available only in 230V.

For accessories, see page 147





Angle grinders Ø 180 mm

WSB 25-180 X

The most powerful FEIN safety angle grinder for extreme grinding work.

Technical data		
Model	WSB 25-180 X	
Input	W	2500
Output	W	1700
Speed, no load	R.P.M	8500
Cable with plug	m	4
Weight	kg	5,4
Disc fitting	QuickIN	
Mounting hole Ø	mm	22,23
Grinding wheel Ø	mm	180
Elast. Backing pad Ø	mm	180
Order Reference	7 221 10	

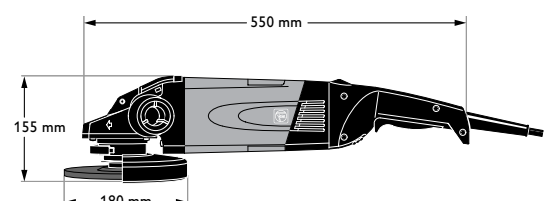
Included in price

1 wheel guard, 1 clamp for flexible grinding/cutting discs, 1 additional handle

FEIN BENEFITS

- ▶ With the 2500 watt HIGH POWER MOTOR, the most powerful FEIN angle grinder with outstanding grinding capacity.
- ▶ Complete safety package with electric brake system EBS, rapid clamping system QuickIN, self-start lock, restart lock, and soft start.
- ▶ Tool-free FEIN QuickIN rapid clamping system - safely clamps tools without a key.
- ▶ Rear handle can be rotated through 4 positions.
- ▶ Dustproof ball bearing.
- ▶ Sealed electronics parts.
- ▶ Carbon brushes with self-cutoff function.
- ▶ Also available with Auto Stop for maximum safety (7 221 10 29).
- ▶ Available only in 230V.

For accessories, see page 147





General accessories

tool case

metal 690 x 240 x 160 mm



Order Reference 3 39 01 022 01 4

anti-vibration handle

M 14, vibration absorbing, to reduce the vibrations during longer jobs.



Order Reference 3 21 19 117 01 5

Work gloves

Vibration-attenuating, certified according to EN 388/420, EN ISO 10819, EEC No. 0200, No. in pack 1 pair



Size	Order Reference
9 L	3 21 73 003 00 3
10 XL	3 21 73 004 00 1
11 XXL	3 21 73 005 00 5

Protective suction hood

with guide block for cutting discs
 Ø 180 mm cutting depth 40 mm,
 connection Ø 32 mm



Order Reference 9 06 04 008 01 3

WSB 20-180, WSB 25-180 X

Clamping unit

for flexible grinding/cutting discs as well as for fan-pattern wheels



Order Reference 6 38 02 183 02 5

Elastic backing pad with clamping unit



Ø mm	Order Reference
180	6 38 06 174 02 8

without clamping unit

Ø mm	Order Reference
180	6 38 06 174 01 2

Clamping unit for elastic backing pads



Order Reference 6 38 02 185 02 7

WSG 20-180, WSG 25-180

Threaded flange

M 14, for flexible grinding/cutting discs, fan-pattern grinding wheels and round brush

Order Reference 6 38 02 052 00 0

Inner flange



Order Reference 6 38 01 120 00 6

Elastic backing pad with flange M 14



Ø mm	Order Reference
180	6 38 06 034 01 7

Threaded flange

M 14, for elastic backing pad and for twisted steel wire brush



Order Reference 6 38 01 154 00 7



Angle grinders Ø 230 mm

WSG 20-230

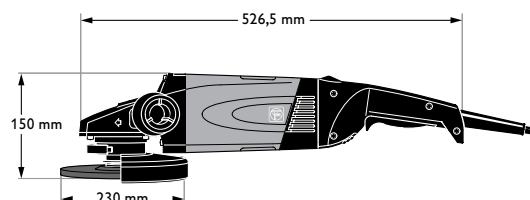
Powerful angle grinder for grinding and cutting work.

Technical data		
Model	WSG 20-230	
Input	W	2000
Output	W	1250
Speed, no load	R.P.M	6600
Cable with plug	m	4
Weight	kg	4,5
Disc fitting		
Flange		M 14
Grinding wheel Ø	mm	230
Elast. Backing pad Ø	mm	230
Order Reference	7 221 08	
Included in price		
1 wheel guard, 1 pair of flanges, 1 additional handle, 1 set of keys		

FEIN BENEFITS

- ▶ HIGH-POWER-MOTOR - high grinding capacity over the entire operating range up to 150% load.
- ▶ Flat drive head allows the tool to be plunged into workpieces.
- ▶ Soft start for safe handling from the word go.
- ▶ Rear handle can be rotated through 4 positions.
- ▶ Dustproof ball bearing.
- ▶ Sealed electronics parts.
- ▶ Carbon brushes with self-cutoff function.
- ▶ Restart lock.
- ▶ Also available with Auto Stop for maximum safety (7 221 08 29).

For accessories, see page 152





Angle grinders Ø 230 mm

WSB 20-230

Powerful safety angle grinder for grinding and cutting work.

Technical data		
Model	WSB 20-230	
Input	W	2000
Output	W	1250
Speed, no load	R.P.M	6600
Cable with plug	m	4
Weight	kg	4,8
Disc fitting	QuickIN	
Mounting hole Ø	mm	22,23
Grinding wheel Ø	mm	230
Elast. Backing pad Ø	mm	230
Order Reference	7 221 06	

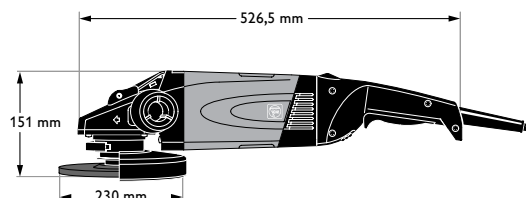
Included in price

1 wheel guard, 1 clamp for flexible grinding/cutting discs, 1 additional handle

FEIN BENEFITS

- ▶ HIGH-POWER-MOTOR - high grinding capacity over the entire operating range up to 150% load.
- ▶ Complete safety package with electric brake system EBS, rapid clamping system QuickIN, self-start lock, restart lock, and soft start.
- ▶ Tool-free FEIN QuickIN rapid clamping system - safely clamps tools without a key.
- ▶ Rear handle can be rotated through 4 positions.
- ▶ Dustproof ball bearing.
- ▶ Sealed electronics parts.
- ▶ Carbon brushes with self-cutoff function.
- ▶ Also available with Auto Stop for maximum safety (7 221 06 29).
- ▶ Available only in 230V.

For accessories, see page 152





Angle grinders Ø 230 mm

WSG 25-230

The most powerful FEIN angle grinder for extreme cutting and grinding work.

Technical data		
Model	WSG 25-230	
Input	W	2500
Output	W	1700
Speed, no load	R.P.M	6600
Cable with plug	m	4
Weight	kg	5,1
Disc fitting		
Flange		M 14
Grinding wheel Ø	mm	230
Elast. Backing pad Ø	mm	230
Order Reference	7 221 27	

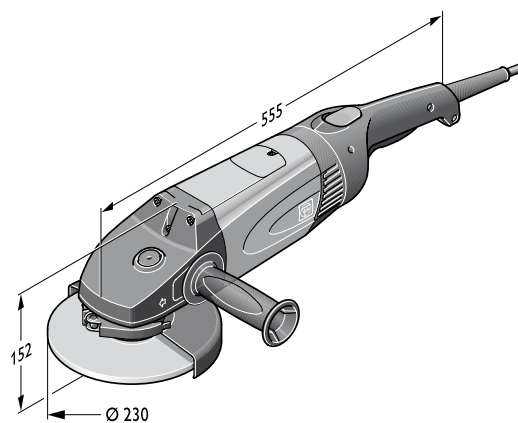
Included in price

1 wheel guard, 1 pair of flanges, 1 additional handle, 1 set of keys

FEIN BENEFITS

- ▶ With the 2500 watt HIGH POWER MOTOR, the most powerful FEIN angle grinder with outstanding grinding capacity.
- ▶ Flat drive head allows the tool to be plunged into complex workpieces.
- ▶ Soft start for safe handling from the word go.
- ▶ Rear handle can be rotated through 4 positions.
- ▶ Dustproof ball bearing.
- ▶ Sealed electronics parts.
- ▶ Carbon brushes with self-cutoff function.
- ▶ Restart lock.
- ▶ Also available with Auto Stop for maximum safety (7 221 27 29).
- ▶ Available only in 230V.

For accessories, see page 152





Angle grinders Ø 230 mm

WSB 25-230 X

The most powerful FEIN safety angle grinder for extreme cutting and grinding work.

Technical data		
Model	WSB 25-230 X	
Input	W	2500
Output	W	1700
Speed, no load	R.P.M	6600
Cable with plug	m	4
Weight	kg	5,4
Disc fitting		QuickIN
Mounting hole Ø	mm	22,23
Grinding wheel Ø	mm	230
Elast. Backing pad Ø	mm	230
Order Reference	7 221 11	

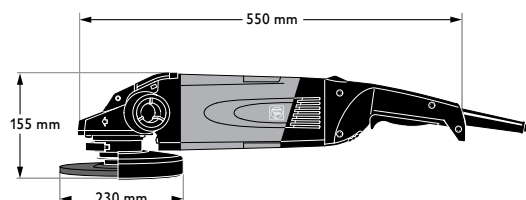
Included in price

1 wheel guard, 1 clamp for flexible grinding/cutting discs, 1 additional handle

FEIN BENEFITS

- ▶ With the 2500 watt HIGH POWER MOTOR, the most powerful FEIN angle grinder with outstanding grinding capacity.
- ▶ Complete safety package with electric brake system EBS, rapid clamping system QuickIN, self-start lock, restart lock, and soft start.
- ▶ Tool-free rapid clamping system for securely clamped tools.
- ▶ Also available with Auto Stop for maximum safety (7 221 11 29).
- ▶ Rear handle can be rotated through 4 positions.
- ▶ Dustproof ball bearing.
- ▶ Sealed electronics parts.
- ▶ Carbon brushes with self-cutoff function.
- ▶ Available only in 230V.

For accessories, see page 152



General accessories

tool case

metal 690 x 240 x 160 mm



Order Reference 3 39 01 022 01 4

anti-vibration handle

M 14, vibration absorbing, to reduce the vibrations during longer jobs.



Order Reference 3 21 19 117 01 5

Work gloves

Vibration-attenuating, certified according to EN 388/420, EN ISO 10819, EEC No. 0200, No. in pack 1 pair



Size	Order Reference
9 L	3 21 73 003 00 3
10 XL	3 21 73 004 00 1
11 XXL	3 21 73 005 00 5

Protective suction hood

with guide block for cutting discs
 Ø 180 mm cutting depth 40 mm,
 connection Ø 32 mm



Order Reference 9 06 04 008 01 3

with guide block for cutting discs
 Ø 230 mm cutting depth 65 mm,
 connection Ø 32 mm

Order Reference 9 06 04 009 01 7

WSB 20-230, WSB 25-230 X

Elastic backing pad

with clamping unit



Ø	Order Reference
180	6 38 06 174 02 8
230	6 38 06 175 02 2

without clamping unit

Ø	Order Reference
180	6 38 06 174 01 2
230	6 38 06 175 01 6

Clamping unit

for elastic backing pads



Order Reference 6 38 02 185 02 7

for flexible grinding/cutting discs as well as for fan-pattern wheels



Order Reference 6 38 02 183 02 5

WSG 20-230, WSG 25-230

Threaded flange

M 14, for flexible grinding/cutting discs, fan-pattern grinding wheels and round brush

Order Reference 6 38 02 052 00 0

Inner flange



Order Reference 6 38 01 120 00 6

Elastic backing pad

with flange M 14



Ø	Order Reference
180	6 38 06 034 01 7

Threaded flange

M 14, for elastic backing pad and for twisted steel wire brush



Order Reference 6 38 01 154 00 7