



## Sawing can be an easy task. With FEIN jigsaws.

For precise cuts in steel (up to 25 mm thick) or wood (up to 100 mm thick) and for cutting and machining profiled sections or plastic, steel and ductile cast-iron pipes with a diameter of up to 440 mm. FEIN jigsaws can't fail to impress due to their durability, optimum performance and first-class results. What is their secret? In terms of stroke and gear loading, they are consistently designed for tough applications in the metal sector. And the integrated electronics ensures that FEIN jigsaws constantly maintain their stroke setting at the required level even under heavy loads. For optimum cutting speed – and without excessive saw blade wear. Saw blades matched perfectly to the job in hand and professional accessories like the FEIN clamp and

feed device for pipes and round material make light work of even tough sawing jobs. Try them and see for yourself.





## Jigsaws up to 8 mm in Steel/ 50 mm in Wood

**ASt 638**

Metal jigsaws with unsurpassed precision, robustness and service life.

**ASte 638**

Metal jigsaws with continuously variable speed control for unsurpassed precision, robustness and service life.

Technical data			
Model		ASt 638	ASte 638
Input	W	350	450
Output	W	200	245
Strokes	R.P.M	3350	1050-2600
Stroke of blade	mm	20	20
Cable with plug	m	5	5
Weight	kg	2,2	2,2
Max. cutting capacity			
Stainless steel (V2A)	mm	3	6
Steel (St 37)	mm	8	10
alu, copper, brass	mm	10/10	15/10
Hard/soft wood and plywood	mm	50/40	60/50
Hard particle / fibre-glass materials	mm	25/20	30/30
Radius of smallest curve			
steel/woods and plastics	mm	8/6	8/6
<b>Order Reference</b>		<b>7 234 17</b>	<b>7 234 15</b>

**Included in price**  
 2 packs of saw blades, 1 anti-chipping protector  
 ASte 638  
 1 Chip protection additional

### FEIN BENEFITS

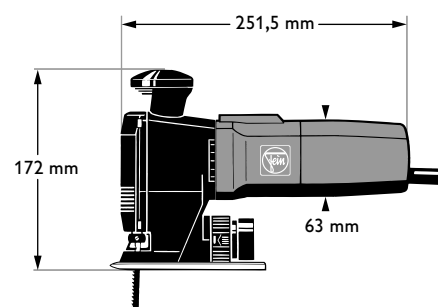
**ASt 638**

- ▶ Extremely low levels of wear and maintenance even when used in very demanding industrial applications.
- ▶ Machine concept for optimum results in metals, insulation materials (sandwich) and hard wood.

**ASte 638**

- ▶ Machine concept for optimum results in metals, stainless steel, insulation material (sandwich) and hard wood
- ▶ Continuously variable, electronic speed setting for optimum cutting speed and saw blade service life
- ▶ Excellent ergonomics.
- ▶ Precisely balanced weight distribution resulting in outstanding smooth running.
- ▶ Swarf removal can be switched between extraction or blowing.

For accessories, see page 261



**Saw blades**

**Saw blades**

for cutting diverse materials. Max material thickness see table

Steel	wood	Plastic	Miscellaneous	Length mm	Tooth spacing mm	No. in pack pcs	Order Reference
Sheet metal made of St 37 up to 1.2 mm			Non-ferrous metals up to 1.2 mm	77	0,7	5	6 35 03 060 01 0
			Thin-walled profiles, up to 50 mm	100	0,7	5	6 35 03 076 01 0
St 37 up to 2 mm, rust-proof steel up to 2 mm		hard plastics up to 4 mm	Brass, aluminium, copper sheets up to 2 mm; Hard particle boards, fibreglass, carton up to 4 mm; Resopal up to 2 mm	88	1,2	5	6 35 03 035 01 1
			Insulation material up to 70 mm	120	1,2	5	6 35 03 077 01 4
St 37 up to 10 mm; Plywood rust-proof steel up to 3 mm	up to 3 mm	hard plastics up to 3-8 mm		88	2	5	6 35 03 036 01 4
St 37 up to 4 mm	up to 25 mm	up to 25 mm		77	2	5	6 35 03 087 01 3
	Plywood and hard fibre-board, hard and soft wood up to 25 mm, hard fibre-board up to 15 mm	soft plastics up to 15 mm		88	3	5	6 35 03 037 01 8
St 37 up to 6 mm			Aluminium up to 15 mm	100	3	5	6 35 03 088 01 1
	Plywood and hard fibre-board, hard wood up to 40 mm; soft wood up to 50 mm	soft plastics, polyamide up to 30 mm		88	4	5	6 35 03 038 01 6
	Plywood and hard fibre-board, hard wood up to 50 mm; soft wood up to 60 mm			100	4	5	6 35 03 082 01 0
		Plastics 4-15 mm; polyamide up to 30 mm, fibreglass	Insulation boards more than 4 mm; Hard particle boards 8- 20 mm	88	4	5	6 35 03 039 01 0
			Glass, ceramics, brick, fibreglass	77	Carbide-coated, grain 30	5	6 35 03 089 01 5
		Fibreglass up to 10 mm	Earthenware slabs up to 10 mm	77	diamond-coated	1	6 35 03 061 01 9
	Wood up to 60 mm		Gypsum plates, porous concrete, drywall	130	8,5	3	6 35 03 084 01 2



**General accessories**

**tool case**

Plastic, 450 x 310 x 135 mm



Order Reference 3 39 01 118 01 0

**Plastic box**

Box insert with lockable lid for small parts and accessories, suitable for tool box 3 39 01 118 01 0, max 5 items/box.



Order Reference 3 39 01 119 00 0

**Shoe plate**

long, for sawing corrugated sheet metal

Order Reference 3 27 14 084 00 8

**Anti-chipping protector**

Pack of 5



Order Reference 3 14 28 102 01 6

**Chipping protector**

for ASt(e) 638



Order Reference 3 27 14 088 00 7

**Hose sleeve**

for the connection of FEIN Electric Power Tools with dust extraction



Ø mm	Order Reference
32	3 05 17 028 00 7
27	3 05 17 029 00 1

**FEIN "Dustex" vacuum cleaner**

Powerful wet and dry extractor for connecting power tools when working in the workshop and for assembly work. You will find detailed information about the FEIN vacuum cleaner and "dust-free sanding" in the chapter on vacuum cleaners.



**Tool spray**

Extends the tool's metal working service life

Order Reference 3 21 32 019 01 2

**Cutting paste**

Lubricating agents for working on sheet metals.



Order Reference 3 21 32 020 12 9



## Jigsaw up to 25 mm in Steel

### ASte 649-1

Jigsaw for very tough applications in metal, stainless steel, insulation material (sandwich)

Technical data		
Model	ASte 649-1	
Input	W	750
Output	W	500
Strokes	R.P.M	750-2600
Stroke of blade	mm	26
Cable with plug	m	2,5
Weight	kg	5,5
Max. cutting capacity		
Stainless steel (V2A)	mm	4
Steel (St 37)	mm	25
Aluminium / brass	mm	20/12
Hard/soft wood and plywood	mm	100/60
Hard particle / fibre-glass materials	mm	60/>100
Radius of smallest curve, with saw blades for cornered cuts		
steel/woods and plastics	mm	30/15
<b>Order Reference</b>	<b>7 234 06</b>	

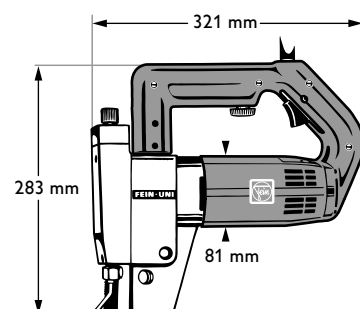
### Included in price

3 saw blades, 1 retaining screw, 1 set of keys

### FEIN BENEFITS

- ▶ Air-jet feature for unobstructed view of the cutting line
- ▶ Integrated cooling lubricant tank with feed equipment for optimum cutting speeds
- ▶ Continuously variable, electronic speed setting for optimum saw blade service lives

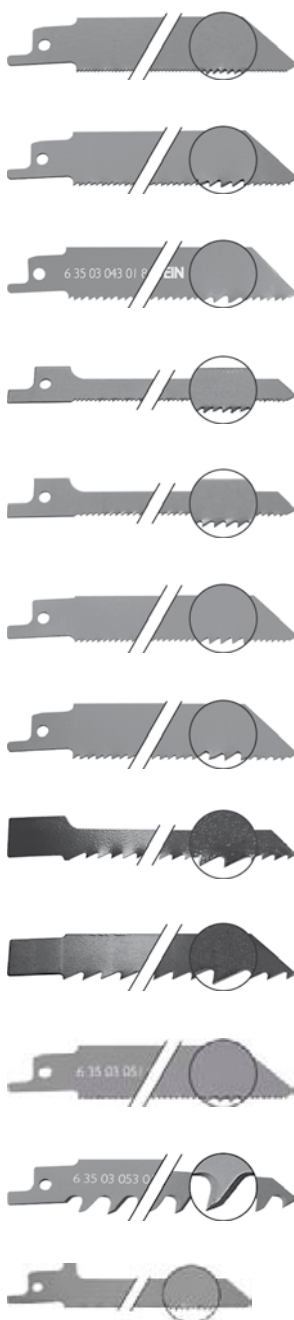
For accessories, see page 263



**Saw blades**

**Saw blades**

for cutting diverse materials. Max material thickness see table



Steel	wood	Plastic	Miscellaneous	Length mm	Tooth spacing mm	No. in pack pcs	Order Reference
St 37, rust-proof steel up to 1.5 mm			Non-ferrous metals up to 1.5 mm	100	1,0	3	6 35 03 041 01 1
Steel, rust-proof steel 3 - 8 mm		Plastics and fibreglass 3 - 8 mm	Non-ferrous metals, aluminium 3 - 8 mm	100	1,8	3	6 35 03 042 01 4
St 37 more than 5 mm		Plastics and fibreglass more than 5 mm	Non-ferrous metals, aluminium more than 5 mm	100	2,5	3	6 35 03 043 01 8
St 37, rust-proof steel up to 3 mm			Non-ferrous metals up to 3 mm	90	1,4	3	6 35 03 044 01 6
St 37, rust-proof steel 2 - 6 mm		Plastics and fibreglass 2 - 6 mm	Non-ferrous metals, aluminium 2 - 6 mm	90	1,8	3	6 35 03 045 01 0
Pipes and profiles made of St 37 with walls 3-8 mm and up to 80 mm profile height		Pipes and profiles made of plastic and fibreglass with walls 3-8 mm and up to 80 mm profile height	Pipes and profiles made of non-ferrous metal and aluminium with walls 3-8 mm and up to 80 mm profile height	150	1,8	3	6 35 03 047 01 7
more than 5 mm	x	more than 5 mm	Pipes and profiles up to 80 mm profile height, asphalt plates, brick, porous concrete	150	2,5	3	6 35 03 048 01 5
	up to 50 mm		Hollow sections up to 90 mm	150	4,0	3	6 35 03 049 01 9
	Soft and hard wood up to 90 mm			150	8,5	3	6 35 03 050 01 1
3 - 8 mm		3 - 8 mm	Pipes and profiles up to 140 mm profile height	228	1,8	3	6 35 03 051 01 0
	Soft and hard wood up to 90 mm			240	8,5	3	6 35 03 053 01 7
St 37 up to 1.2 mm		Plastics more than 12 mm	Aluminium more than 12 mm	100	3,0	3	6 35 03 056 01 2
			thin-walled profiles with insulation inserts up to 180 mm profile height	228	1,0	3	6 35 03 059 01 8
St 37 up to 1.2 mm			thin-walled profiles, up to 90 mm profile height	150	1,0	3	6 35 03 058 01 4

**General accessories**

**tool case**

metal 400 x 400 x 130 mm



Order Reference 3 39 01 032 01 3

**Side handle**



Order Reference 3 21 19 032 00 2

**Shoe plate**

long, for sawing corrugated sheet metal

Order Reference 3 27 14 084 00 8

**Tool spray**

Extends the tool's metal working service life

Order Reference 3 21 32 019 01 2

**Cutting paste**

Lubricating agents for working on sheet metals.



Order Reference 3 21 32 020 12 9