

FEIN impact wrenches. For making and releasing metal screw connections.

Impact wrenches are used for a huge range of tasks. For example, for heavy assembly work, in mechanical engineering or in the services sector by locksmiths, roof fitters and carpenters. All these applications require particularly high levels of torque. FEIN impact wrenches reach between 100 and 700 Nm and are available with or without electronic controls and optionally with FEIN controls. The FEIN kinetic handle offers impressive pleasant and reaction torque-free working. The wrenches have outstanding ergonomics and are characterised by maximum efficiency and reliability. The user-focused and practical range of accessories cover a whole host of application areas and ensure optimum results.





Drive Impact Wrenches up to M 14

ASb 636 Lightweight impact wrench up to 100 Nm.

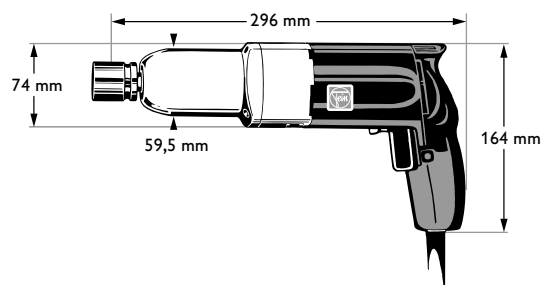
ASb 636-EC 2 Lightweight impact wrench up to 100 Nm.

Technical data			
Model		ASb 636	ASb 636-EC 2
Input	W	230	230
Output	W	125	125
Speed, no load	R.P.M	1350	1350
Impacts	R.P.M	1700	1700
max. torque for hard screwdriving operation, approx.	Nm	100	60-100
Cable with plug	m	4	6,5
Weight	kg	2,2	2,2
Fastening		M8 (5/16") - M14 (9/16")	M8 (5/16") - M14 (9/16")
Chuck		1/2"	1/2"
Order Reference		7 215 29	7 215 30

FEIN BENEFITS

- ▶ FEIN kinetic handle for fatigue-free and safe working.
 - ▶ FEIN impact system for recoil-free working.
 - ▶ Integral switch for ease of operation.
- ASb 636-EC2
- ▶ Repeat-precise torque settings with FEIN controls.
 - ▶ Reversible.
 - ▶ Model ASb 636-EC 2 available only in 230V

For accessories, see page 114





Drive Impact Wrench up to M 18

ASbe 642

Impact wrench up to 200 Nm for use in manual trades and industry.

Technical data

Model	ASbe 642	
Input	W	400
Output	W	210
Speed, no load	R.P.M	1000-1550
Impacts	R.P.M	1200-2000
max. torque for hard screwdriving operation, approx.	Nm	26-200
Cable with plug	m	4
Weight	kg	3,1
Fastening	M8 (5/16") - M18 (3/4")	
Chuck	1/2"	
Order Reference	7 215 28	

Included in price

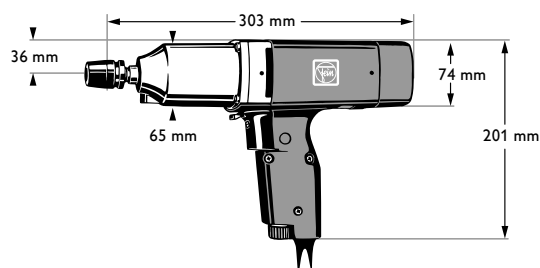
1 additional handle

FEIN BENEFITS

- ▶ Electronic torque preselection for different torques depending on the screwdriving operation.
- ▶ FEIN impact system for recoil-free working.
- ▶ Integral switch for ease of operation.

- ▶ Reversible.
- ▶ Mid-mounted handle.
- ▶ Available only in 230V

For accessories, see page 114



General accessories

Hexagon socket tools

with 1/2" square socket for hexagon screws



SW	Ø	L	Order Reference
	mm	mm	
13	21	40	6 22 05 007 00 7
17	26	40	6 22 05 011 00 0
19	28,5	40	6 22 05 013 00 7

Socket for stay bolts

with 1/2" square socket



Gr.	L	Order Reference
	mm	
M 8	78	6 22 19 002 07 9
M 10	79	6 22 19 002 09 1
M 12	81	6 22 19 002 10 6
M 14	82	6 22 19 002 12 1

Joint

with 1/2" square socket, output 1/2" outer square



L	Order Reference
mm	
67	6 22 16 001 00 5

Intermediate piece

with 1/2" square socket, output 5/16" hexagon socket



Order Reference	6 22 10 007 00 4
-----------------	------------------

Balancer



Detailed information on the FEIN Balancers can be found in the chapter Accessories / Balancers.

ASbe 642

Socket for stay bolts

with 1/2" square socket



Gr.	L	Order Reference
	mm	
M 16	84	6 22 19 002 14 3
M 18	86	6 22 19 002 16 2

Suspension Device

for hooking onto a balancer horizontal and vertical

Order Reference	3 21 25 041 00 7
-----------------	------------------

ASb 636-EC 2, ASb 636

tool case

Plastic, 450 x 310 x 135 mm

Order Reference	3 39 01 118 01 0
-----------------	------------------

Plastic box

Box insert with lockable lid for small parts and accessories, suitable for tool box 3 39 01 118 01 0, max 5 items/box.

Order Reference	3 39 01 119 00 0
-----------------	------------------

Spiral cordset

for electric tools with mains connection cables of quality HO 5 RN-F 2x1.



Order Reference	3 07 07 157 01 3
-----------------	------------------

Suspension Device

for hooking onto a balancer horizontal and vertical

Order Reference	3 21 25 050 00 7
-----------------	------------------



Drive Impact Wrenches up to M 20

- ASb 647-1** Impact wrench up to 250 Nm for use in manual trades and industry.
- ASbe 647-1** Impact wrench up to 250 Nm with FEIN electronic for use in manual trades and industry.
- ASb 647-1-EC 2** Impact wrench up to 250 Nm with FEIN control for use in manual trades and industry.

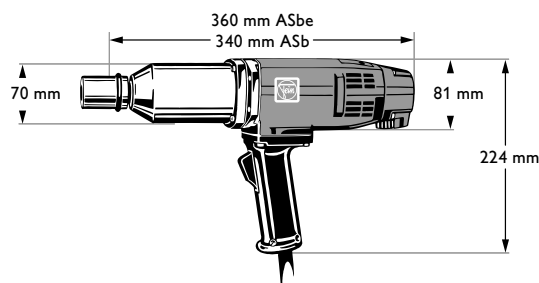
Technical data				
Model		ASb 647-1	ASbe 647-1	ASb 647-1-EC 2
Input	W	400	400	400
Output	W	180	180	180
Speed, no load	R.P.M	1450	1050-1450	1450
Impacts	R.P.M	1700	1700	1700
max. torque for hard screwdriving operation, approx.	Nm	250	120-250	150-250
Cable with plug	m	4	4	6,5
Weight	kg	3,8	3,9	3,8
Fastening		M10 (3/8") - M20 (3/4")	M10 (3/8") - M20 (3/4")	M10 (3/8") - M20 (3/4")
Chuck		3/4"	3/4"	3/4"
Order Reference		7 215 12	7 215 13	7 215 23

Included in price
1 rubber ring, 1 securing pin

FEIN BENEFITS

- ▶ Optimised weight distribution allows the tool to be operated with just one hand.
 - ▶ FEIN impact system for recoil-free working.
 - ▶ Integral switch for ease of operation.
- ASbe 647-1**
- ▶ Electronic torque preselection for different torques depending on the screwdriving operation.
- ASb 647-1-EC 2**
- ▶ Repeat-precise torque settings with FEIN controls.
 - ▶ Maximum torque in reverse rotation.
 - ▶ Reversible.
 - ▶ Available only in 230V

For accessories, see page 117



Fastening



Drive Impact Wrench up to M 22

- ASb 648** Impact wrench with powerful 400 Nm for industry.
- ASbe 648** Impact wrench with powerful 400 Nm with FEIN electronic for industry.
- ASb 648-EC 2** Impact wrench with powerful 400 Nm with FEIN control for industry.

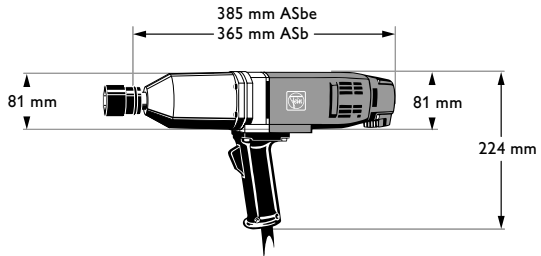
Technical data				
Model		ASb 648	ASbe 648	ASb 648-EC 2
Input	W	450	450	400
Output	W	240	240	210
Speed, no load	R.P.M	1500	1200-1500	1500
Impacts	R.P.M	1500	1500	1350
max. torque for hard screwdriving operation, approx.	Nm	400	240-400	240-400
Cable with plug	m	4	4	6,5
Weight	kg	5	5,1	5
Fastening		M12 (1/2") - M22 (7/8")	M12 (1/2") - M22 (7/8")	M12 (1/2") - M22 (7/8")
Chuck		3/4"	3/4"	3/4"
Order Reference		7 215 07	7 215 08	7 215 21

Included in price
1 rubber ring, 1 securing pin

FEIN BENEFITS

- ▶ Mid-mounted handle for optimized weight distribution.
 - ▶ FEIN impact system for recoil-free working.
 - ▶ Maximum torque in reverse rotation for easy release of tight screw connections.
- ASbe 648**
- ▶ Electronic torque preselection for different torques depending on the screwdriving operation.
- ASb 648-EC 2**
- ▶ Repeat-precise torque settings with FEIN controls.
 - ▶ Reversible.
 - ▶ Available only in 230V

For accessories, see page 117





General accessories

Socket for stay bolts
with 3/4" inner square



Size	L	Order Reference
	mm	
M 12	92	6 24 19 001 03 3
M 16	95	6 24 19 001 05 5
M 20	98	6 24 19 001 07 4

Bits

3/4" inner square socket with
exchangeable bits for hexagon socket
screws, output 3/4" hexagon



SW	Size	L	Order Reference
		mm	
10	M 12	75	6 24 10 001 01 5
12	M 14	75	6 24 10 001 02 1
14	M 16/18	75	6 24 10 001 03 7

Removable Bits

3/4" hexagon socket for hexagon socket
screws



SW	Size	L	Order Reference
		mm	
10	M 12	39,7	6 27 15 001 00 5
12	M 14	39,7	6 27 15 002 00 8
14	M 16/18	39,7	6 27 15 003 00 2
17	M 20/22	39,7	6 27 15 004 00 0

Joint

with 3/4" square socket, output 3/4"
outer square



L	Order Reference
mm	
98	6 24 16 001 00 3

Rubber Ring

Ø	Order Reference
mm	
34,5/44,5	4 06 12 028 00 8

Securing pin

Ø	L	Order Reference
mm	mm	
4,5	35	3 02 35 007 00 5

Balancer

Detailed information on the FEIN
Balancers can be found in the chapter
Accessories / Balancers.

tool case

metal 400 x 400 x 130 mm



Order Reference	3 39 01 032 01 3
-----------------	------------------

**ASb 647-1, ASbe 647-1,
ASb 647-1-EC 2**

Suspension Device

for hooking onto a balancer
horizontal

Order Reference	3 21 25 042 01 9
-----------------	------------------

**ASb 648, ASbe 648,
ASb 648-EC 2**

Suspension Device

for hooking onto a balancer
horizontal and vertical

Order Reference	3 21 25 041 00 7
-----------------	------------------



Drive Impact Wrenches up to M 27

ASb 658-1 Impact wrench with extremely powerful 700 Nm for industry.

ASb 658-1 EC 2 Impact wrench with extremely powerful 700 Nm with FEIN control for industry.

Technical data			
Model		ASb 658-1	ASb 658-1 EC 2
Input	W	550	550
Output	W	330	330
Speed, no load	R.P.M	1400	1400
Impacts	R.P.M	1600	1600
max. torque for hard screwdriving operation, approx.	Nm	700	400-700
Cable with plug	m	4	6,5
Weight	kg	6,8	6,8
Fastening		M18 (3/4") - M27 (1 1/16")	M18 (3/4") - M27 (1 1/16")
Chuck		1"	1"
Order Reference		7 215 25	7 215 26

Included in price
1 rubber ring, 1 securing pin

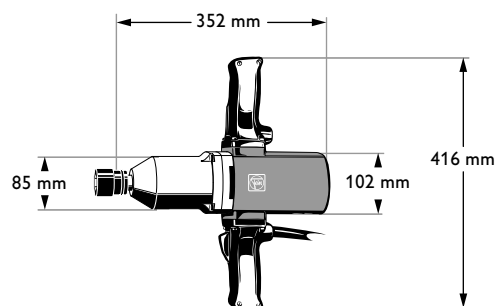
FEIN BENEFITS

- ▶ FEIN impact system for recoil-free working.
- ▶ Double handle and integrated switch for secure handling.
- ▶ Maximum torque in reverse rotation for easy release of tight screw connections.

ASb 658-1 EC 2

- ▶ Repeat-precise torque settings with FEIN controls.
- ▶ Short design.
- ▶ Reversible.
- ▶ Available only in 230V

For accessories, see page 119





General accessories

Socket for stay bolts
with 1" inner square



Gr.	L	Order Reference
	mm	
M 24	107	6 25 19 001 07 3

Joint
with 1" inner square, output 1" outer square



L	Order Reference
mm	
124	6 25 16 001 00 2

Rubber Ring

Ø	Order Reference
mm	
45 / 59	4 06 12 029 00 2

Securing pin

Ø	L	Order Reference
mm	mm	
5	45	3 02 35 009 00 7

Balancer

Detailed information on the FEIN Balancers can be found in the chapter Accessories / Balancers.

tool case

metal 400 x 400 x 130 mm



Order Reference	3 39 01 032 01 3
-----------------	------------------