

## As universal as your day-to-day requirements – the FEIN hammer drill.

With impact deactivation and reversible rotation, the FEIN hammer drill is suitable for a wide range of applications. Use it to drill easily in stone, concrete and masonry, but also to achieve first-class results in wood or metal. The continuously variable electronic speed control also makes it suitable for tapping and countersinking. An ideal installation tool for facade builders, roof fitters and sheet metal workers. The qualities you would expect from FEIN – ergonomics, low weight and unbeatable durability – are additional benefits that come with a FEIN hammer drill.





## Two-speed Impact Drill up to 16 mm in stone

### DSceu 638

Hammer drill with impact deactivation for universal installation work.

Technical data		
Model	DSceu 638	
Input	W	450
Output	W	230
Speed, full load	R.P.M	0-700/0-1800
Speed, no load	R.P.M	0-1100/0-2800
Blows per minute, under load	R.P.M	0-14000/0-36000
Cable with plug	m	5
Weight	kg	2
Capacity in stone Ø	mm	16
Capacity in steel Ø	mm	13/8
Capacity in wood Ø	mm	30/20
Tapping		M 10
Thread of spindle		UNF ½"-20
<b>Order Reference</b>	<b>7 204 30</b>	

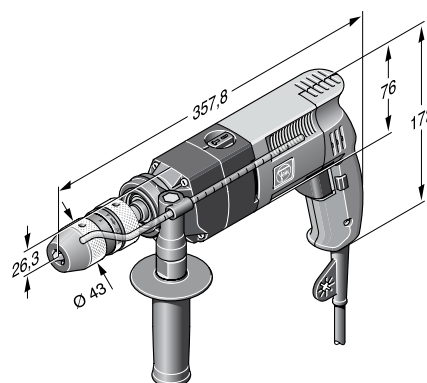
### Included in price

1 Impact resistant, quick-action chuck with chucking power safety device up to Ø 13 mm,  
1 additional handle, 1 depth stop

### FEIN BENEFITS

- ▶ High torque, high power motor for steady drilling progress.
- ▶ Mechanical two-speed gearbox for optimum speed adjustment for a wide range of uses.
- ▶ Reversible.
- ▶ Impact deactivation.
- ▶ Infinitely variable electronic speed setting.
- ▶ Robust barrel-type motor housing.
- ▶ FEIN kinetic handle.
- ▶ Low width across corners.
- ▶ Superb service life.
- ▶ Collar for use with drill jig.

For accessories, see page 41





**General accessories**

**tool case**

Plastic, 450 x 310 x 135 mm



Order Reference 3 39 01 118 01 0

**Magnetic Drill Jigs**

Detailed information on the FEIN Magnetic drill jigs for universal use, horizontally, vertically and over-head can be found in the chapter Drilling / Magnetic drill jigs.



**Reducing rings**

for attaching machines with collar

Ø 43 mm

Ø

mm	Order Reference
53 / 43	3 26 23 009 00 6

**Key-type drill chuck**

Drill chuck holder 1/2"-20 UNF



Chuck opening	Weight	Order Reference
mm	kg	
1-10	0,30	6 32 03 034 01 0
1,5-13	0,38	6 32 03 041 01 4

**Quick-action chuck**

Drill chuck holder 1/2"-20 UNF

form R tip

Chuck opening	Weight	Order Reference
mm	kg	
1-13	0,54	6 32 05 033 01 0