

We don't make one-size-fits-all dry wall screw guns. We make the right tool for every job.

Different jobs demand different tools. Whether you're attaching plasterboard panels to wood or metal substructures or laying an intermediate layer of particle board on a beam construction, you'll find the ideal power tool among the FEIN range of dry wall screw guns. FEIN dry wall screw guns come with a range of speeds and clutches to cover virtually any screwdriving operation in construction work. Powerful, lightweight, handy and with maximum precision and reliability, FEIN dry wall screw guns make work on floors, walls and overhead work quick and non-tiring. With outstanding performance and stability. For every job. Every day.





Dry wall screw gun, up to 5 mm

SCT 5-40 X

The specialist tool for drywall and interior work with quiet clutch.

Technical data		
Model	SCT 5-40 X	
Input	W	450
Output	W	250
Speed, full load	R.P.M	0-2700
Speed, no load	R.P.M	0-4000
Max. torque	Nm	12
Cable with plug	m	5
Weight	kg	1,3
Screw Ø	mm	5
Rapid change chuck		1/4"
Order Reference	7 213 13	

Included in price

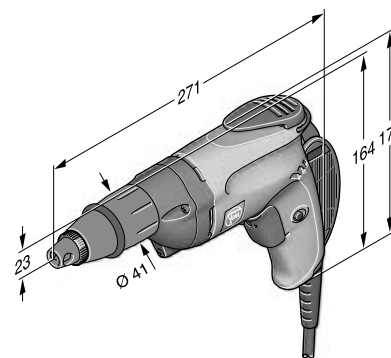
1 hand strap, 1 belt clip, 1 depth stop, dust-proof protection, 1 magnetic holder for bits 1/4", 1 bit 1/4" for cross-slotted screws size 2 / Phillips (form H) with dust-protection ring

FEIN BENEFITS

- ▶ Speed-optimised; ideal for fixing plasterboard to wood or metal frames.
- ▶ Silent FEIN CLIC-STOP clutch for working in offices, hospitals etc. without causing a disturbance.
- ▶ The depth stop supplied means that drywall is not damaged and you need simply grout after screwdriving.

- ▶ One of the lightest screwdrivers in its class.
- ▶ Market-leading ergonomics with FEIN Sensitive handle.
- ▶ Point placement accuracy with infinitely variable electronic speed setting.
- ▶ HIGH-POWER MOTOR.
- ▶ Vibration-free stop.
- ▶ Rapid changeover to collated strip magazine.
- ▶ Easily adjustable and replaceable depth stop.
- ▶ Dustproof stop sleeve.
- ▶ Extremely lightweight.
- ▶ Practical hand strap.

For accessories, see page 107





Dry wall screw gun, up to 5 mm

SCT 5-40 UX

The flexible tool for drywall and interior work with adjustable clutch.

Technical data		
Model	SCT 5-40 UX	
Input	W	450
Output	W	250
Speed, full load	R.P.M	0-2700
Speed, no load	R.P.M	0-4000
Max. torque	Nm	12
Cable with plug	m	5
Weight	kg	1,3
Screw Ø	mm	5
Rapid change chuck		1/4"
Order Reference	7 213 14	

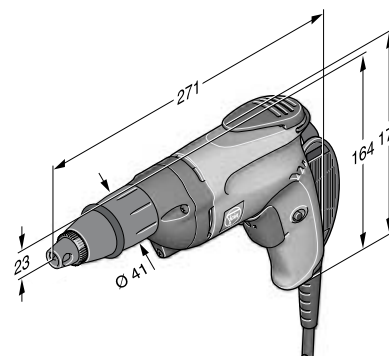
Included in price

1 hand strap, 1 belt clip, 1 depth stop, dust-proof protection, 1 magnetic holder for bits 1/4", 1 bit 1/4" for cross-slotted screws size 2 / Phillips (form H) with dust-protection ring

FEIN BENEFITS

- ▶ Speed-optimised; for rapid fixing of plasterboard to wood and metal frames.
- ▶ Optimum torque thanks to adjustable clutch when working without depth stop.
- ▶ The depth stop supplied means that drywall is not damaged and you need simply grout after screwdriving.
- ▶ One of the lightest screwdrivers in its class.
- ▶ Market-leading ergonomics with FEIN Sensitive handle.
- ▶ Point placement accuracy with infinitely variable electronic speed setting.
- ▶ HIGH-POWER MOTOR.
- ▶ Rapid changeover to collated strip magazine.
- ▶ Easily adjustable and replaceable depth stop.
- ▶ Dustproof stop sleeve.
- ▶ Extremely lightweight.
- ▶ Practical hand strap.

For accessories, see page 107





Fastening

Dry wall screw gun, up to 6 mm

SCT 6-25 X

The powerful tool for interior work with higher torque.

Technical data		
Model	SCT 6-25 X	
Input	W	450
Output	W	250
Speed, full load	R.P.M	0-2000
Speed, no load	R.P.M	0-2500
Max. torque	Nm	16
Cable with plug	m	5
Weight	kg	1,3
Screw Ø	mm	6
Rapid change chuck		1/4"
Order Reference	7 213 15	

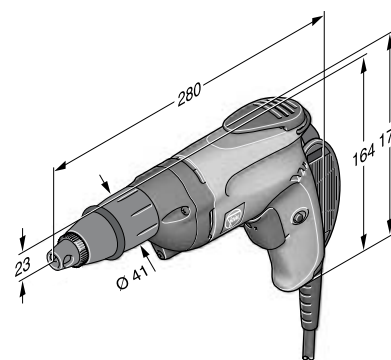
Included in price

1 hand strap, 1 belt clip, 1 depth stop, dust-proof protection, 1 magnetic holder for bits 1/4", 1 bit 1/4" for cross-slotted screws size 2 / Phillips (form H) with dust-protection ring

FEIN BENEFITS

- ▶ Speed-optimised for screwing particle board onto wood, drywall and supporting structures.
- ▶ Silent FEIN CLIC-STOP clutch for working in offices, hospitals etc. without causing a disturbance.
- ▶ The depth stop supplied ensures an even driving depth and that subsequent processing of the surfaces is simple.
- ▶ Point placement accuracy with infinitely variable electronic speed setting.
- ▶ Market-leading ergonomics with FEIN Sensitive handle.
- ▶ HIGH-POWER MOTOR.
- ▶ Vibration-free stop.
- ▶ Rapid changeover to collated strip magazine.
- ▶ Easily adjustable and replaceable depth stop.
- ▶ Stop sleeve with dust-proof protection.
- ▶ Extremely lightweight.
- ▶ Practical hand strap.

For accessories, see page 107





Dry wall screw gun with collated screw magazine up to 5 mm

SCT 5-40 M

Autofeed screwdriver for rapid, repeated screwdriving operations.

Technical data		
Model	SCT 5-40 M	
Input	W	450
Output	W	250
Max. torque	Nm	12
Speed, full load	R.P.M	0-2700
Speed, no load	R.P.M	0-4000
Weight	kg	1,6
Cable with plug	m	5
Rapid change chuck	mm	1/4"
Screw Ø	mm	5
Screw length		25 - 55
Order Reference	7 213 06 50	

Included in price

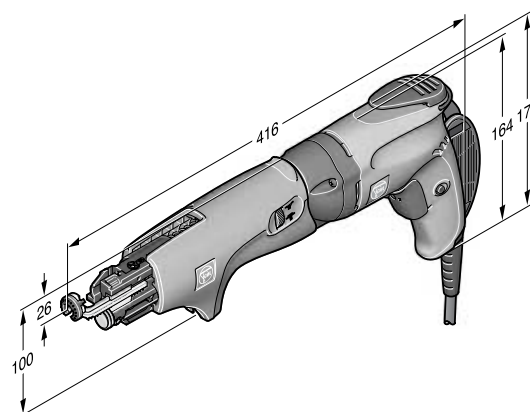
1 Collated cartridge for collated screws, 1 bit 1/4" for cross-slotted screws size 2 / Phillips (form H) with dust-protection ring, 1 depth stop, 1 magnetic holder for bits 1/4", 1 bit 1/4" for cross-slotted screws size 2 / Phillips (form H) with dust-protection ring, 1 hand strap, 1 belt clip, 1 plastic carrying case

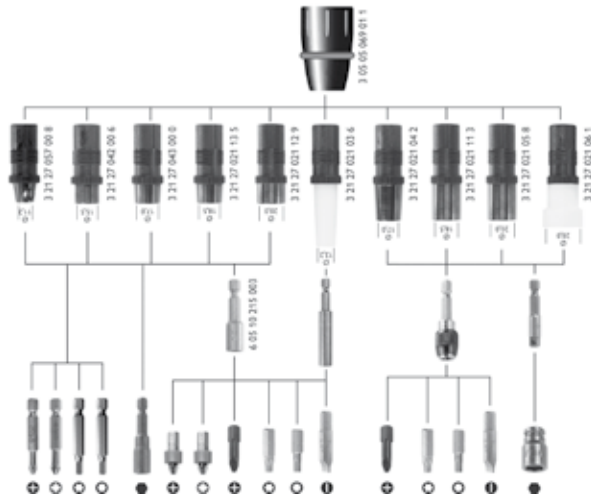
FEIN BENEFITS

- ▶ Drywall construction screwdriver SCT 5-40X incl. magazine M55.
- ▶ QuickIN for tool-free removal collated strips, setting of screw length and driving depth as well as quick cleaning.
- ▶ Speed-optimised; accurate fixing of plasterboard to wood and metal frames.
- ▶ One of the lightest screwdrivers in its class.
- ▶ Silent FEIN CLIC-STOP clutch.
- ▶ Point placement accuracy with infinitely variable electronic speed setting.
- ▶ Patented screw transport system.
- ▶ Additional depth stop for non-collated screws.
- ▶ Ideally suited for single-hand use.
- ▶ Magazine can be rotated through 360 degrees.
- ▶ Robust shell casing.
- ▶ Market-leading ergonomics with FEIN Sensitive handle.
- ▶ HIGH-POWER MOTOR.
- ▶ Vibration-free stop.
- ▶ Practical hand strap.



For accessories, see page 107





General accessories

tool case

Plastic, 450 x 310 x 135 mm



Order Reference 3 39 01 118 01 0

Plastic box

Box insert with lockable lid for small parts and accessories, suitable for tool box 3 39 01 118 01 0, max 5 items/box.



Order Reference 3 39 01 119 00 0

Bits 1/4" for hexagon socket screws for hexagon socket screws short model



SW	Ø	L	Order Reference
	mm	mm	
8	14	50	6 05 05 015 00 1

for Torx socket screws
Size L

Size	L	Order Reference
mm	mm	
TX 10	50	6 05 22 001 00 6
TX 15	50	6 05 22 002 00 9
TX 20	50	6 05 22 003 00 3
TX 25	50	6 05 22 004 00 1
TX 30	50	6 05 22 005 00 5
TX 40	50	6 05 22 006 00 8

Tool holder 1/4" external hexagon 1/4" Drive-Hex Socket with quick-change chuck



Ø	L	Order Reference
mm	mm	
15	51	6 05 10 011 00 9

with quick-change chuck, magnetic

Ø	L	Order Reference
mm	mm	
15	52	6 05 10 213 04 8

Bits 1/4 Hex socket

for cross-slotted screws as per DIN 7962

Form H/Phillips (pack of 5) extra hard



Size	L	Order Reference
	mm	
1	25	6 27 12 108 02 4
2	25	6 27 12 109 02 8
3	25	6 27 12 110 02 0
4	32	6 27 12 116 02 1

Form H/Phillips (pack of 5) extra hard, with dust protection ring



Size	L	Order Reference
	mm	
2	25	6 27 12 109 03 4

Form Z/Pozidriv (pack of 5) extra hard



Size	L	Order Reference
	mm	
1	25	6 27 12 111 02 9
2	25	6 27 12 112 02 2
3	25	6 27 12 113 02 6

Depth stops

Whenever the situation allows, the benefits of a depth stop (consisting of a sleeve socket assembly along with a choice of a stop sleeve) should be taken advantage of: exact setting of the driving depth, steady and even rows of screws, no thread stripping or wringing of screws, reduced tool wear.

Form Z, Pozidriv (pack of 2) extra hard, with dust protection ring



Size	L	Order Reference
	mm	
2	25	6 27 12 112 03 8

for hexagon socket screws



SW	Size	L	Order Reference
		mm	
2,5	M 3	25	6 27 12 017 00 1
3	M 4	25	6 27 12 018 00 9
4	M 5	25	6 27 12 019 00 3
5	M 6	25	6 27 12 020 00 5
6	M 8	25	6 27 12 021 00 4

for Torx socket screws



Size	L	Order Reference
	mm	
TX 10	26	6 27 12 026 00 6
TX 15	26	6 27 12 027 00 0
TX 20	26	6 27 12 028 00 8
TX 25	26	6 27 12 029 00 2
TX 30	26	6 27 12 031 00 3

Shaft 1/4" external hexagon

Output 1/4" square socket



L	Order Reference
mm	
50	6 05 13 001 00 4

Special accessories for SCT 5-40 M

High-speed construction screws

DIN 18182, part 2, collated strips with 50 screws each, Ph 2, oiled and phosphorated, 1000 screws total. Fine-pitch screw for fastening drywall to metal substructures, countersunk head, Ø 8 mm



Ø	L	Order Reference
mm	mm	
3,9	35	6 39 01 030 01 4

Coarse-pitch screw for fastening drywall to wood substructures, countersunk head, Ø 8 mm

Ø	L	Order Reference
mm	mm	
3,9	30	6 39 01 031 01 3
3,9	35	6 39 01 032 01 6
3,9	45	6 39 01 033 01 0

Double threaded with milled rib for fastening Fermacell panels to metal or wood substructures.

Ø	L	Order Reference
mm	mm	
3,9	30	6 39 01 034 01 8

Double threaded with milled rib for wood substructures.

Ø	L	Order Reference
mm	mm	
4,2	35	6 39 01 035 01 2

Autofeed extension with strap guide

Length 520 mm

Order Reference 9 01 04 006 01 0

Bits 1/4 Hex socket

for screwdriving into ceilings and floors Form H/Phillips, size 2



Order Reference 6 05 03 306 00 8

Form Z/Pozidriv, size 2

Order Reference 6 05 04 502 00 8

Magazine M55

for collated screws of 25 to 55 mm length and max. Ø 5 mm, tool-free changeover, weight 0.4 kg.

Order Reference 9 01 04 007 01 0