

FEIN cordless screwdrivers. Independent and powerful.

Lightweight, easy to use, flexible and powerful: the advantages of the FEIN cordless screwdrivers come to the fore wherever no mains power supply is available. Like all FEIN screwdrivers, our cordless machines have powerful and reliable motors for tough continuous use. The excellent ergonomics, vibration-damping soft grip and good balance make it easy to use overhead. The 10-level torque adjustment and continuously variable speed control provide exactly the level of power you need for the task at hand. Cordless drill/drivers are used in a variety of situations from universal installation jobs to heavy-duty carpentry. Cordless impact drills offer additional possibilities, including masonry

applications. Precise and durable, just as you would expect from FEIN.



FEIN HANDYMASTER



reddot design award
winner 2003

Cordless screwdriver up to 10 mm/M5

ABS 9

Ergonomic cordless screwdriver for universal use in installation work.



Fastening

Technical data

Model	ABS 9	
Current/Voltages	V	9,6
Speed, no load	R.P.M	0-600
Max. torque (hard/soft)	Nm	16/9
Weight with battery	kg	1,4
Screw Ø	mm	5/M5
Capacity in steel Ø	mm	10
Capacity in wood Ø	mm	20
Order Reference	7 113 01 50	

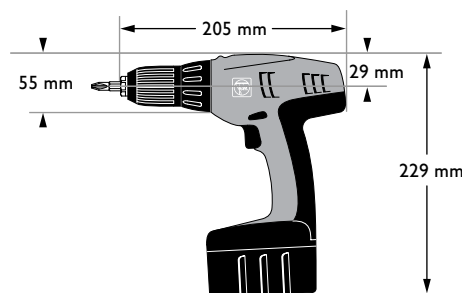
Included in price

1 carrying case, 1 rapid charger ALG 20, 2 battery packs (NiCd/1.3 Ah), 2 double bits (cross-slot PZ 2 / PZ 3 and PH 2, / slot size 6)

FEIN BENEFITS

- ▶ Exemplary ergonomics, well-balanced, and with optimum ease of use for working without fatigue, even in overhead work.
- ▶ Adjustable torque (10 levels including drilling level) provides the optimum power for screw-driving applications large or small.
- ▶ Electronic speed control for smooth and precise screw application and spot-drilling. This also protects the surface against scratches.
- ▶ Single sheath drill chuck with spindle lock.
- ▶ Reversible rotation with locking function.
- ▶ Vibration-attenuating softgrip.
- ▶ Also available with NiMH batteries (2.0 Ah): ABS 9 (7 113 01 51)

For accessories, see page 89



FEIN HANDYMASTER



Cordless drill/driver, up to 13 mm / M 8

ABS 12

Cordless drill/driver for large and small drills or manual screwdriving application.

Technical data		
Model	ABS 12	
Current/Voltages	V	12
Speed, no load	R.P.M	0-400/0-1400
Max. torque (hard/soft)	Nm	31/19
Weight with battery	kg	2,0
Screw Ø	mm	7/M8
Capacity in steel Ø	mm	13
Capacity in wood Ø	mm	30
Order Reference	7 113 02 50	

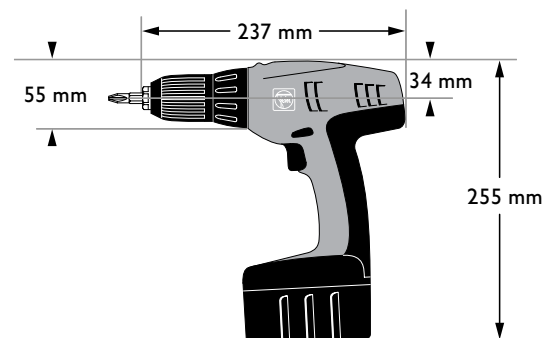
Included in price

1 carrying case, 1 rapid charger ALG 20, 2 battery packs (NiCd/2.0 Ah),
2 double bits (cross-slot PZ 2 / PZ 3 and PH 2, / slot size 6)

FEIN BENEFITS

- ▶ Reversible two-speed drill/driver. Optimum speeds and torques at all times and for every application.
- ▶ Adjustable torque (10 levels including drilling level) provides the optimum power for screw-driving applications large or small.
- ▶ Electronic speed control for smooth and precise screw application and spot-drilling. This also protects the surface against scratches.
- ▶ Exemplary ergonomics.
- ▶ Fatigue-free working.
- ▶ Single sheath drill chuck with spindle lock and chucking force safety device.
- ▶ Reversible rotation with locking function.
- ▶ Vibration-attenuating softgrip.
- ▶ Also available with NiMH batteries (3.0 Ah):
ABS 12 (7 113 02 51)

For accessories, see page 89





FEIN HANDYMASTER



Cordless drill/driver, up to 13 mm / M 8

ABS 14

Powerful cordless drill/driver for small and large screwdriving application jobs in manual trades.

Technical data

Model	ABS 14	
Current/Voltages	V	14,4
Speed, no load	R.P.M	0-400/0-1400
Max. torque (hard/soft)	Nm	37/21
Weight with battery	kg	2,1
Screw Ø	mm	8/M8
Capacity in steel Ø	mm	13
Capacity in wood Ø	mm	32
Order Reference	7 113 03 50	

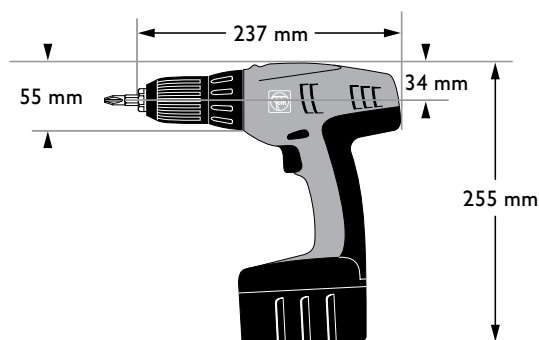
Included in price

1 carrying case, 1 rapid charger ALG 20, 2 battery packs (NiCd/2.0 Ah), 2 double bits (cross-slot PZ 2 / PZ 3 and PH 2, / slot size 6)

FEIN BENEFITS

- ▶ Reversible two-speed drill/driver. Optimum speeds and torques at all times and for every application.
- ▶ Adjustable torque (10 levels including drilling level) provides the optimum power for screw-driving applications large or small.
- ▶ Electronic speed control for smooth and precise screw application and spot-drilling. This also protects the surface against scratches.
- ▶ Exemplary ergonomics.
- ▶ Fatigue-free working.
- ▶ Single sheath drill chuck with spindle lock and chucking force safety device.
- ▶ Reversible rotation with locking function.
- ▶ Vibration-attenuating softgrip.
- ▶ Also available with NiMH batteries (3.0 Ah): ABS 14 (7 113 03 51)

For accessories, see page 89



FEIN HANDYMASTER



Cordless drill/driver, up to 13 mm / M 10

ABS 18

Zero-compromise cordless drill/driver for wood assembly jobs.

Technical data		
Model	ABS 18	
Current/Voltages	V	18
Speed, no load	R.P.M	0-400/0-1400
Max. torque (hard/soft)	Nm	60/35
Weight with battery	kg	2,9
Screw Ø	mm	10/M10
Capacity in steel Ø	mm	13
Capacity in wood Ø	mm	50
Order Reference	7 113 06 50	

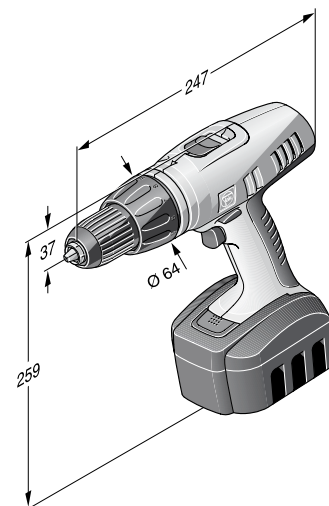
Included in price

1 carrying case, 1 rapid charger ALG 20, 2 battery packs (NiCd/2.0 Ah), 2 double bits (cross-slot PZ 2 / PZ 3 and PH 2, / slot size 6), 1 Additional handle with depth stop

FEIN BENEFITS

- ▶ Reversible two-speed drill/driver. Optimum speeds and torques at all times and for every application.
- ▶ Adjustable torque (10 levels including drilling level) provides the optimum power for screw-driving applications large or small.
- ▶ Electronic speed control for smooth and precise screw application and spot-drilling. This also protects the surface against scratches.
- ▶ Exemplary ergonomics.
- ▶ Fatigue-free working.
- ▶ Single sheath drill chuck with spindle lock and chucking force safety device.
- ▶ Reversible rotation with locking function.
- ▶ Vibration-attenuating softgrip.
- ▶ Long battery life.
- ▶ Also available with NiMH batteries (3.0 Ah): ABS 18 (7 113 06 51)

For accessories, see page 89





FEIN HANDYMASTER

Cordless hammer drill, up to 13 mm in masonry

ASB 14

Powerful cordless hammer drill for heavy-duty use in interior construction.



Technical data

Model	ASB 14	
Current/Voltages	V	14,4
Speed, no load	R.P.M	0-400/0-1400
Impacts	R.P.M	5200/18200
Max. torque (hard/soft)	Nm	37/21
Weight with battery	kg	2,2
Screw Ø	mm	8/M8
Drill Ø steel/stone up to	mm	13
Capacity in wood Ø	mm	32
Order Reference	7 104 03 50	

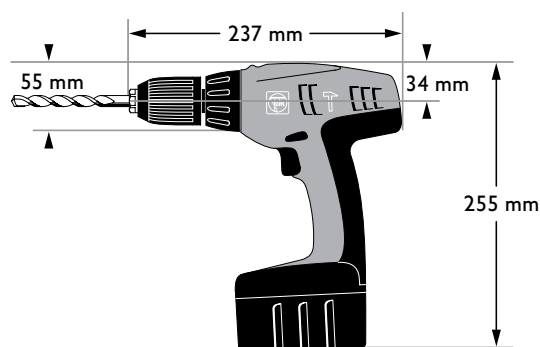
Included in price

1 carrying case, 1 rapid charger ALG 20, 2 battery packs (NiCd/2.0 Ah), 2 double bits (cross-slot PZ 2 / PZ 3 and PH 2, / slot size 6)

FEIN BENEFITS

- ▶ Reversible two-speed drill/driver. Optimum speeds and torques at all times and for every application.
- ▶ Adjustable torque (10 levels including drilling level) provides the optimum power for screw-driving applications large or small.
- ▶ Electronic speed control for smooth and precise screw application and spot-drilling. This also protects the surface against scratches.
- ▶ Exemplary ergonomics.
- ▶ Fatigue-free working.
- ▶ Single sheath drill chuck with spindle lock and chucking force safety device.
- ▶ Reversible rotation with locking function.
- ▶ Vibration-attenuating softgrip.
- ▶ Long battery life.
- ▶ Also available with NiMH batteries (3.0 Ah):
ABS 14 (7 104 03 51)

For accessories, see page 89



FEIN HANDYMASTER



Cordless hammer drill, up to 16 mm in masonry

ASB 18

Our most powerful cordless hammer drill for heavy-duty use in interior construction.

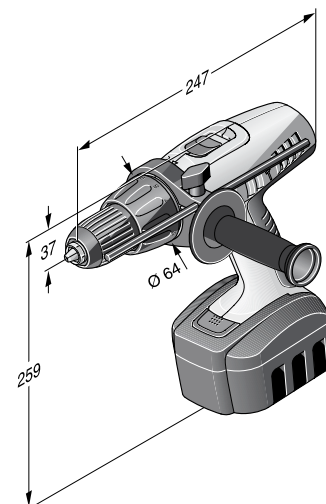
Technical data		
Model	ASB 18	
Current/Voltages	V	18
Speed, no load	R.P.M	0-400/0-1400
Impacts	R.P.M	6400/22400
Max. torque (hard/soft)	Nm	60/35
Weight with battery	kg	3,0
Screw Ø	mm	10/M10
Drill Ø steel/stone up to	mm	13/16
Capacity in wood Ø	mm	50
Order Reference	7 104 04 50	

Included in price
 1 carrying case, 1 rapid charger ALG 20, 2 battery packs (NiCd/2.0 Ah), 2 double bits (cross-slot PZ 2 / PZ 3 and PH 2, / slot size 6), 1 Additional handle with depth stop

FEIN BENEFITS

- ▶ Reversible two-speed drill/driver. Optimum speeds and torques at all times and for every application.
- ▶ Adjustable torque (10 levels including drilling level) provides the optimum power for screw-driving applications large or small.
- ▶ Electronic speed control for smooth and precise screw application and spot-drilling. This also protects the surface against scratches.
- ▶ Exemplary ergonomics.
- ▶ Fatigue-free working.
- ▶ Single sheath drill chuck with spindle lock and chucking force safety device.
- ▶ Reversible rotation with locking function.
- ▶ Vibration-attenuating softgrip.
- ▶ Long battery life.
- ▶ Also available with NiMH batteries (3.0 Ah): ABS 18 (7 104 04 51)

For accessories, see page 89



General accessories

Tek Bit-Box

34 parts, consisting of: 1 quick-change chuck, magnetic, with shank 1/4", 20 bits for Phillips screws size 1-3 Form H/Form Z, 10 bits for Torx screws Type TX 10, 15, 25, 30, 40 as well as 3 magnetic hexagon socket tools SW 8, 10, 3/8"



Order Reference 6 05 10 213 02 6

Diamond Bit-Box

consisting of: 1 quick-change chuck, magnetic with shank 1/4" and 6 diamond coated tool bits 1/4" for Philips head screws



Order Reference 6 05 10 213 03 2

Tool Kit

consisting of: 1 quick-change chuck, magnetic with shank 1/4" and 9 different diamond coated bits 1/4" for Phillips head and flat head screws



Order Reference 6 05 10 213 01 0

Bits 1/4" for hexagon socket screws for hexagon screws



SW	Ø	L	Order Reference
	mm	mm	
5/16"	13	65	6 05 05 009 00 1
8	13	65	6 05 05 007 00 9
3/8"	14	65	6 05 05 010 00 3
10	15	65	6 05 05 008 00 7

for hexagon screws, magnetic

SW	Ø	L	Order Reference
	mm	mm	
8	13	65	6 05 05 207 00 4
3/8"	14	65	6 05 05 210 00 8
10	15	65	6 05 05 208 00 2

Tool holder 1/4" external hexagon 1/4" Drive-Hex Socket with quick-change chuck



Ø	L	Order Reference
mm	mm	
15	51	6 05 10 011 00 9

Bits 1/4 Hex socket

for cross-slotted screws as per DIN 7962
Form H/Phillips (pack of 5)



Size	L	Order Reference
	mm	
1	25	6 27 12 008 01 9
2	25	6 27 12 009 01 3
2	50	6 27 12 509 01 6
3	25	6 27 12 010 01 5

Form H/Phillips (pack of 5) extra hard



Size	L	Order Reference
	mm	
1	25	6 27 12 108 02 4
2	25	6 27 12 109 02 8
3	25	6 27 12 110 02 0
4	32	6 27 12 116 02 1

Form Z/Pozidriv (pack of 5)



Size	L	Order Reference
	mm	
1	25	6 27 12 011 01 4
2	25	6 27 12 012 01 7
3	25	6 27 12 013 01 1

for hexagon socket screws



SW	Size	L	Order Reference
		mm	
2,5	M 3	25	6 27 12 017 00 1
3	M 4	25	6 27 12 018 00 9
4	M 5	25	6 27 12 019 00 3
5	M 6	25	6 27 12 020 00 5
6	M 8	25	6 27 12 021 00 4

for Torx socket screws



Size	L	Order Reference
	mm	
TX 10	26	6 27 12 026 00 6
TX 15	26	6 27 12 027 00 0
TX 20	26	6 27 12 028 00 8
TX 25	26	6 27 12 029 00 2
TX 30	26	6 27 12 031 00 3
TX 40	26	6 27 12 032 00 6

Shaft 1/4" external hexagon Output 1/4" square socket



L	Order Reference
mm	
50	6 05 13 001 00 4

Rapid charger ALG 20

Processor-controlled, charging time approx. 20 to 60 min depending on battery, power consumption 110 W, charging current max. 4.1 A, weight 1.0 kg, length of cable 1.9 m, including adaptor for industrial interface (AccuTec)



Order Reference 9 26 04 073 01 4

ABS 9

NiCd battery
9.6 V - 1.3 Ah, 0.45 kg



Order Reference 9 26 04 067 02 0

NiMH battery
9,6 V - 2,0 Ah, 0,48 kg



Order Reference 9 26 04 070 02 4

ABS 12

NiCd battery
12 V - 2,0 Ah, 0,73 kg
Order Reference 9 26 04 068 02 8

NiMH battery
12 V - 3,0 Ah, 0,75 kg
Order Reference 9 26 04 071 02 3

ABS 14, ASB 14

NiCd battery
14,4 V - 2,0 Ah, 0,84 kg
Order Reference 9 26 04 069 02 2

NiMH battery
14,4 V - 3,0 Ah, 0,87 kg
Order Reference 9 26 04 072 02 6

ABS 18, ASB 18

NiCd battery
18 V - 2.0 Ah, 1.2 kg
Order Reference 9 26 04 085 02 1

NiMH battery
18 V - 2.0 Ah, 1.24 kg
Order Reference 9 26 04 086 02 4