

## **FEIN compact angle grinders: the powerful and reliable angle grinders for industry and manual trades.**

Extreme robustness, performance, manageability and safety – that sums up the FEIN compact angle grinders for industry and manual trades. Available in different equipment variants, they are perfectly tailored to your needs. The FEIN compact angle grinder range comprises two series – either with the classic On/Off switch or as a safety angle grinder with FEIN TipStart operation, AutoStop and electronic brake. These powerful and reliable compact angle grinders are ideal for everyday use, even for heavy-duty non-stop applications.





## Compact angle grinder, Ø 115 mm

### WSB 10-115 T

Handy compact safety angle grinder for light-duty deburring and grinding work.

Grinding

Technical data		
Model	WSB 10-115 T	
Input	W	800
Output	W	550
Speed, no load	R.P.M	10 000
Cable with plug	m	4
Weight	kg	1,8
Disc fitting	QuickIN	
Mounting hole Ø	mm	22,23
Grinding wheel Ø	mm	115
Elast. Backing pad Ø	mm	115
<b>Order Reference</b>	<b>7 221 46</b>	

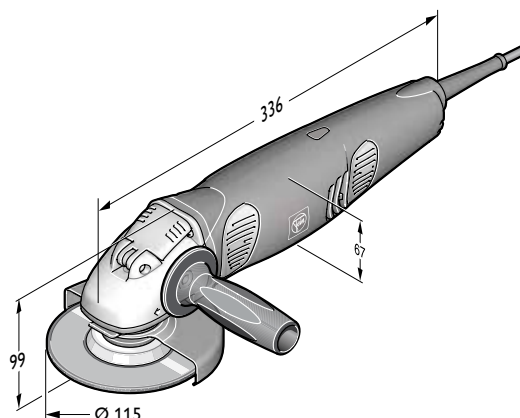
#### Included in price

1 wheel guard, 1 clamp for flexible grinding/cutting discs, 1 additional handle

#### FEIN BENEFITS

- ▶ Unique ergonomic design for fatigue-free working. Equally suited to right- and left-handers.
- ▶ Complete safety package with TipStart, Auto-Stop and zero-wear electric brake system (EBS), QuickIN rapid clamping system, self-start lock, restart lock and soft start.
- ▶ High service lives thanks to extremely robust self-supporting motor design and dustproof switch module.
- ▶ HIGH-POWER MOTOR.
- ▶ Low vibration values even without the anti-vibration handle.
- ▶ Dustproof ball bearing.
- ▶ H 07 industrial cable.
- ▶ Unremovable wheel guard with protection against twisting.
- ▶ Sealed electronics parts.
- ▶ Carbon brushes with self-cutoff function.
- ▶ Available only in 230V

For accessories, see page 131





## Compact angle grinders, Ø 125 mm

### WSB 14-125 T

Powerful compact safety angle grinder for industry and manual trades.

Technical data		
Model	WSB 14-125 T	
Input	W	1200
Output	W	750
Speed, no load	R.P.M	10 000
Cable with plug	m	4
Weight	kg	2,1
Disc fitting	QuickIN	
Mounting hole Ø	mm	22,23
Grinding wheel Ø	mm	125
Elast. Backing pad Ø	mm	125
<b>Order Reference</b>	<b>7 221 47</b>	

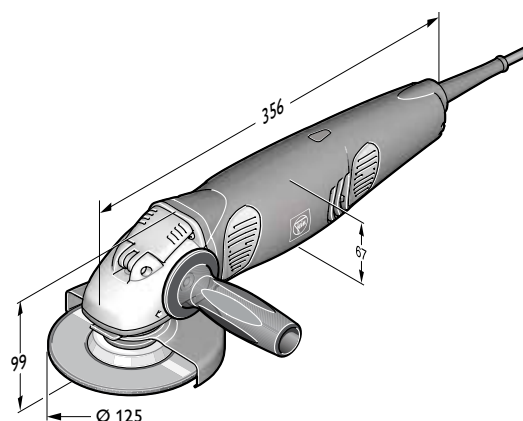
#### Included in price

1 wheel guard, 1 clamp for flexible grinding/cutting discs, 1 additional handle

#### FEIN BENEFITS

- ▶ HIGH-POWER-MOTOR - high grinding capacity over the entire operating range up to 150% load.
- ▶ Complete safety package with TipStart, Auto-Stop and zero-wear electric brake system (EBS), QuickIN rapid clamping system, self-start lock, restart lock and soft start.
- ▶ High service lives thanks to extremely robust self-supporting motor design and dustproof switch module.
- ▶ Low vibration values even without the anti-vibration handle.
- ▶ Dustproof ball bearing.
- ▶ H 07 industrial cable.
- ▶ Dustproof tacho control.
- ▶ Unremovable wheel guard with protection against twisting.
- ▶ Sealed electronics parts.
- ▶ Carbon brushes with self-cutoff function.
- ▶ Available only in 230V.

For accessories, see page 131





**General accessories**

**tool case**

Plastic, 450 x 310 x 135 mm



Order Reference 3 39 01 118 01 0

**Plastic box**

Box insert with lockable lid for small parts and accessories, suitable for tool box 3 39 01 118 01 0, max 5 items/box.



Order Reference 3 39 01 119 00 0

**anti-vibration handle**

M 8, vibration absorbing, to reduce the vibrations during longer jobs.



Order Reference 3 21 19 119 01 7

**Work gloves**

Vibration-attenuating, certified according to EN 388/420, EN ISO 10819, EEC No. 0200, No. in pack 1 pair



Size	Order Reference
9 L	3 21 73 003 00 3
10 XL	3 21 73 004 00 1
11 XXL	3 21 73 005 00 5

**Round twist brush**

Ø 115 mm



Order Reference 6 37 22 043 01 7

**Clamping unit**

for flexible grinding/cutting discs, circular twisted steel wire brush and fan-pattern grinding discs

Order Reference 6 38 02 178 02 3

**Elastic backing pad**  
without clamping unit



Ø	Order Reference
mm 115	6 38 06 143 01 7

**Clamping unit**

for elastic backing pad and for twisted steel wire brush



Order Reference 6 38 02 180 02 9

**WSB 14-125 T**

**Tapered twist brush**

Ø 115 mm



Order Reference 6 37 22 046 01 2

**Round twist brush**

Ø 125 mm



Order Reference 6 37 22 044 01 5

**Elastic backing pad**  
without clamping unit



Ø	Order Reference
mm 125	6 38 06 138 01 5

**WSB 10-115 T**

**Tapered twist brush**

suitable for compact areas  
6 38 10 011 01 6



Order Reference 6 37 22 045 01 9





## Compact angle grinders, Ø 125 mm

### WSG 14-125

Powerful compact angle grinder for industry and manual trades.

Technical data		
Model	WSG 14-125	
Input	W	1200
Output	W	750
Speed, no load	R.P.M	10 000
Cable with plug	m	4
Weight	kg	2,0
Disc fitting		
Flange		M 14
Grinding wheel Ø	mm	125
Elast. Backing pad Ø	mm	125
<b>Order Reference</b>	<b>7 221 41</b>	

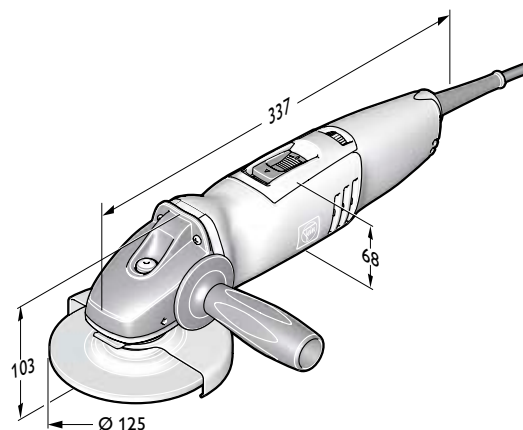
#### Included in price

1 wheel guard, 1 pair of flanges, 1 additional handle, 1 key

#### FEIN BENEFITS

- ▶ HIGH-POWER-MOTOR - high grinding capacity over the entire operating range up to 150% load.
- ▶ High service lives thanks to extremely robust self-supporting motor design.
- ▶ Unique ergonomic design for fatigue-free working. Equally suited to right- and left-handers.
- ▶ Low vibration values even without the anti-vibration handle.
- ▶ Reliable, countersunk switch.
- ▶ Dustproof ball bearing.
- ▶ H 07 industrial cable.
- ▶ Dustproof tacho control.
- ▶ Unremovable wheel guard with protection against twisting.
- ▶ Sealed electronics parts.
- ▶ Soft start.
- ▶ Restart lock.
- ▶ Carbon brushes with self-cutoff function.
- ▶ Available only in 230 V.

For accessories, see page 135





## Compact angle grinders, Ø 125 mm

### WSG 14-125 S

Powerful compact angle grinder for grinding and cutting work on stainless steel.

Technical data		
Model	WSG 14-125 S	
Input	W	1200
Output	W	750
Speed, no load	R.P.M	7000
Cable with plug	m	4
Weight	kg	2,2
Disc fitting		
Flange		M 14
Grinding wheel Ø	mm	125
Elast. Backing pad Ø	mm	125
<b>Order Reference</b>	<b>7 221 44</b>	

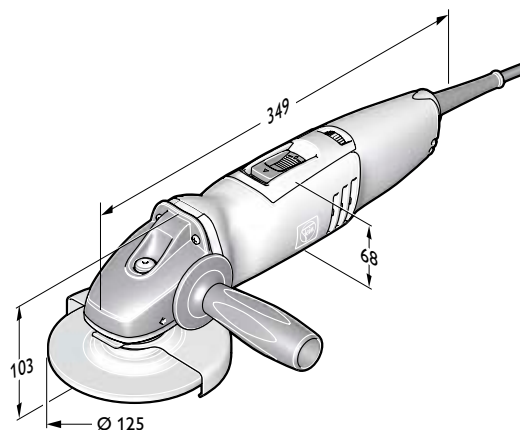
#### Included in price

1 wheel guard, 1 pair of flanges, 1 additional handle, 1 key

#### FEIN BENEFITS

- ▶ HIGH-POWER-MOTOR - high grinding capacity over the entire operating range up to 150% load.
- ▶ Reduced speed for working with stainless steel in order to prevent tarnishing.
- ▶ Unique ergonomic design for fatigue-free working. Equally suited to right- and left-handers.
- ▶ Self-supporting motor design.
- ▶ Low vibration values even without the anti-vibration handle.
- ▶ Reliable, countersunk switch.
- ▶ Dustproof ball bearing.
- ▶ H 07 industrial cable.
- ▶ Dustproof tacho control.
- ▶ Sealed electronics parts.
- ▶ Soft start.
- ▶ Restart lock.
- ▶ Carbon brushes with self-cutoff function.
- ▶ Available only in 230 V.

For accessories, see page 135





## Compact angle grinders, Ø 125 mm

### WSG 14-70 E

Powerful compact angle grinder with variable speed for working with stainless steel.

Technical data		
Model	WSG 14-70 E	
Input	W	1200
Output	W	750
Speed, no load	R.P.M	2500-7000
Cable with plug	m	4
Weight	kg	2,2
Disc fitting		
Flange		M 14
Grinding wheel Ø	mm	125
Elast. Backing pad Ø	mm	125
<b>Order Reference</b>	<b>7 221 43</b>	

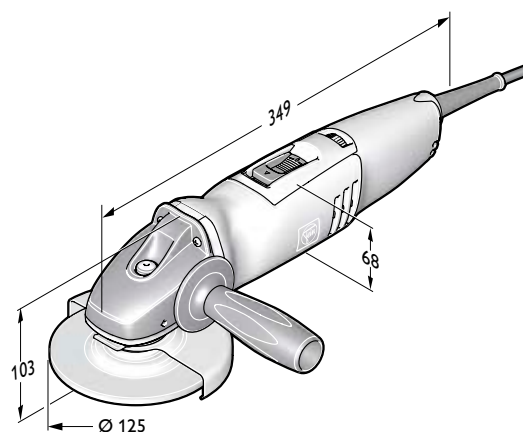
#### Included in price

1 wheel guard, 1 pair of flanges, 1 additional handle, 1 key

#### FEIN BENEFITS

- ▶ HIGH-POWER-MOTOR - high grinding capacity over the entire operating range up to 150% load.
- ▶ Variable speed allows various tools to be used for applications ranging from satin-finishing to sanding and preserves the surfaces.
- ▶ Unique ergonomic design for fatigue-free working. Equally suited to right- and left-handers.
- ▶ Self-supporting motor design.
- ▶ Low vibration values even without the anti-vibration handle.
- ▶ Reliable, countersunk switch.
- ▶ Dustproof ball bearing.
- ▶ H 07 industrial cable.
- ▶ Dustproof tacho control.
- ▶ Sealed electronics parts.
- ▶ Soft start.
- ▶ Restart lock.
- ▶ Carbon brushes with self-cutoff function.
- ▶ Available only in 230 V.

For accessories, see page 135



**General accessories**

**tool case**



Plastic, 450 x 310 x 135 mm  
Order Reference 3 39 01 118 01 0

**Plastic box**

Box insert with lockable lid for small parts and accessories, suitable for tool box 3 39 01 118 01 0, max 5 items/box.



Order Reference 3 39 01 119 00 0

**anti-vibration handle**

M 8, vibration absorbing, to reduce the vibrations during longer jobs.



Order Reference 3 21 19 119 01 7

**Work gloves**

Vibration-attenuating, certified according to EN 388/420, EN ISO 10819, EEC No. 0200, No. in pack 1 pair



Size	Order Reference
9 L	3 21 73 003 00 3
10 XL	3 21 73 004 00 1
11 XXL	3 21 73 005 00 5

**Elastic backing pad**

with flange M 14, for fibre sanding sheets Ø 125 mm



Ø mm	Order Reference
125	6 38 06 087 01 3

**Backing pad**

M 14, Ø 125 mm, with Velcro attachment, for sanding sheets with Velcro rapid attachment



Order Reference 6 38 06 168 01 2

**Tapered twist brush**

Ø 115 mm



Order Reference 6 37 22 046 01 2

**Twist cup brush**

Ø 65 mm, M 14



Order Reference 6 37 22 047 01 6

**Round twist brush**

Ø 125 mm



Order Reference 6 37 22 044 01 5

**Inner flange**



Order Reference 6 38 01 120 00 6

**Threaded flange**

M 14, for flexible grinding/cutting discs, fan-pattern grinding wheels and round brush

Order Reference 6 38 02 052 00 0

M 14, for elastic backing pad and for twisted steel wire brush



Order Reference 6 38 01 154 00 7

**WSG 14-70 E**

**Backing pad**

with Velcro attachment, for working with sanding fleece, M 14



Ø mm	Order Reference
115	6 38 06 172 01 0

**Sanding fleece**

Ø 115 mm, with Velcro attachment, for use with support plate  
6 38 06 172 01 0



Grain	No. in pack pcs	Order Reference
course	10	6 37 32 001 01 8
medium	10	6 37 32 002 01 1
fine	10	6 37 32 003 01 5

**Safety guard**

as hand guard



Order Reference 3 02 29 216 00 5

**FEIN "Dustex" vacuum cleaner**

Powerful wet and dry extractor for connecting power tools when working in the workshop and for assembly work.

You will find detailed information about the FEIN vacuum cleaner and "dust-free sanding" in the chapter on vacuum cleaners.







## Compact angle grinders, Ø 125 mm

### WSS 14-125

Powerful compact angle grinder for industry and manual trades with rapid clamping system.

Technical data		
Model	WSS 14-125	
Input	W	1200
Output	W	750
Speed, no load	R.P.M	10 000
Cable with plug	m	4
Weight	kg	2,1
Disc fitting	QuickIN	
Mounting hole Ø	mm	22,23
Grinding wheel Ø	mm	125
Elast. Backing pad Ø	mm	125
<b>Order Reference</b>	<b>7 221 40</b>	

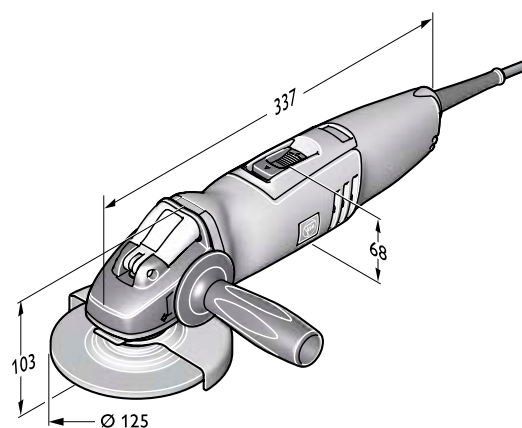
### Included in price

1 wheel guard, 1 clamp for flexible grinding/cutting discs, 1 additional handle

### FEIN BENEFITS

- ▶ HIGH-POWER-MOTOR - high grinding capacity over the entire operating range up to 150% load.
- ▶ High service lives thanks to extremely robust self-supporting motor design.
- ▶ Tool-free FEIN QuickIN rapid clamping system - safely clamps tools without a key.
- ▶ Unique ergonomics.
- ▶ Low vibration values even without the anti-vibration handle.
- ▶ Reliable, countersunk switch.
- ▶ Dustproof ball bearing.
- ▶ H 07 industrial cable.
- ▶ Dustproof tacho control.
- ▶ Unremovable wheel guard with protection against twisting.
- ▶ Sealed electronics parts.
- ▶ Soft start.
- ▶ Restart lock.
- ▶ Carbon brushes with self-cutoff function.
- ▶ Available only in 230 V.

For accessories, see page 137





**General accessories**

**tool case**

Plastic, 450 x 310 x 135 mm



Order Reference 3 39 01 118 01 0

**Plastic box**

Box insert with lockable lid for small parts and accessories, suitable for tool box 3 39 01 118 01 0, max 5 items/box.



Order Reference 3 39 01 119 00 0

**anti-vibration handle**

M 8, vibration absorbing, to reduce the vibrations during longer jobs.



Order Reference 3 21 19 119 01 7

**Work gloves**

Vibration-attenuating, certified according to EN 388/420, EN ISO 10819, EEC No. 0200, No. in pack 1 pair



Size

	Order Reference
9 L	3 21 73 003 00 3
10 XL	3 21 73 004 00 1
11 XXL	3 21 73 005 00 5

**Tapered twist brush**

Ø 115 mm



Order Reference 6 37 22 046 01 2

**Round twist brush**

Ø 125 mm



Order Reference 6 37 22 044 01 5

Ø 115 mm



Order Reference 6 37 22 043 01 7

**Elastic backing pad**

without clamping unit



Ø mm	Order Reference
115	6 38 06 143 01 7
125	6 38 06 138 01 5

**Clamping unit**

for flexible grinding/cutting discs, circular twisted steel wire brush and fan-pattern grinding discs

Order Reference 6 38 02 178 02 3

for elastic backing pad and for twisted steel wire brush



Order Reference 6 38 02 180 02 9



## Angle grinder Ø 125 mm

### MSfv 649-1

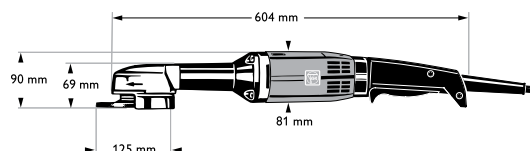
Long-necked angle grinder with spindle M 14 for working in difficult-to-reach areas.

Technical data		
Model	MSfv 649-1	
Input	W	750
Output	W	480
Speed, no load	R.P.M	12 000
Cable with plug	m	5
Weight	kg	3,5
Disc fitting		
Flange		M 14
Grinding wheel Ø	mm	125
<b>Order Reference</b>	<b>7 221 31</b>	
<b>Included in price</b>		
1 wheel guard, 1 pair of flanges, 1 set of keys		

### FEIN BENEFITS

- ▶ Very flat drive head to plunge a long way into workpieces.
- ▶ Safe and comfortable handling thanks to convenient handle positions.
- ▶ Wheel guard with protection against twisting.
- ▶ Motor safety plug.
- ▶ Available only in 230V

For accessories, see page 139



**General accessories**

**tool case**

metal 700 x 180 x 100 mm



Order Reference 3 39 01 021 01 1

**Work gloves**

Vibration-attenuating, certified according to EN 388/420, EN ISO 10819, EEC No. 0200, No. in pack 1 pair



Size

	Order Reference
9 L	3 21 73 003 00 3
10 XL	3 21 73 004 00 1
11 XXL	3 21 73 005 00 5

**Inner flange**

for wheels Ø 125 mm

Order Reference 6 38 01 079 00 9

**Threaded flange**

M 14, for wheels up to 6 mm

Order Reference 6 38 02 084 00 9

M 14, for wheels up to 8 mm

Order Reference 6 38 02 103 00 8



## Compact angle grinders, Ø 150 mm

### WSG 14-150

Powerful compact angle grinder for cutting and grinding work.

Technical data		
Model	WSG 14-150	
Input	W	1200
Output	W	750
Speed, no load	R.P.M	7000
Cable with plug	m	4
Weight	kg	2,2
Disc fitting		
Flange		M 14
Grinding wheel Ø	mm	150
Elast. Backing pad Ø	mm	150
<b>Order Reference</b>	<b>7 221 42</b>	

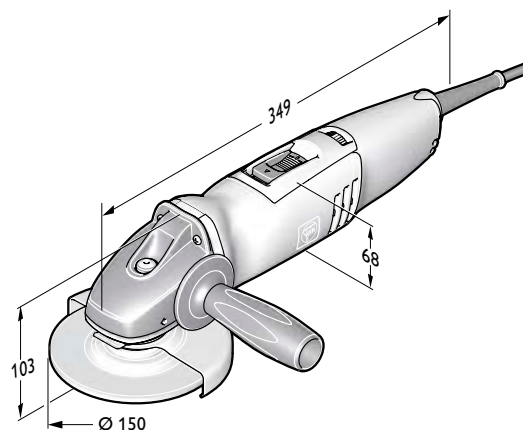
### Included in price

1 wheel guard, 1 pair of flanges, 1 additional handle, 1 key

### FEIN BENEFITS

- ▶ HIGH-POWER-MOTOR - high grinding capacity over the entire operating range.
- ▶ Cutting work up to 35 mm can be undertaken with the 150 mm discs.
- ▶ Unique ergonomic design for fatigue-free working. Equally suited to right- and left-handers.
- ▶ Self-supporting motor design.
- ▶ Low vibration values even without the anti-vibration handle.
- ▶ Reliable, countersunk switch.
- ▶ Dustproof ball bearing.
- ▶ H 07 industrial cable.
- ▶ Dustproof tacho control.
- ▶ Sealed electronics parts.
- ▶ Soft start.
- ▶ Restart lock.
- ▶ Carbon brushes with self-cutoff function.
- ▶ Available only in 230 V.

For accessories, see page 141







**General accessories**

**tool case**

Plastic, 450 x 310 x 135 mm



Order Reference 3 39 01 118 01 0

**Plastic box**

Box insert with lockable lid for small parts and accessories, suitable for tool box 3 39 01 118 01 0, max 5 items/box.



Order Reference 3 39 01 119 00 0

**anti-vibration handle**

M 8, vibration absorbing, to reduce the vibrations during longer jobs.



Order Reference 3 21 19 119 01 7

**Work gloves**

Vibration-attenuating, certified according to EN 388/420, EN ISO 10819, EEC No. 0200, No. in pack 1 pair



Size	Order Reference
9 L	3 21 73 003 00 3
10 XL	3 21 73 004 00 1
11 XXL	3 21 73 005 00 5

**Elastic backing pad**

with flange M 14, for fibre sanding sheets Ø 125 mm



Ø mm	Order Reference
125	6 38 06 087 01 3

**Backing pad**

M 14, Ø 125 mm, with Velcro attachment, for sanding sheets with Velcro rapid attachment



Order Reference 6 38 06 168 01 2

**Tapered twist brush**

Ø 115 mm



Order Reference 6 37 22 046 01 2

**Round twist brush**

Ø 125 mm



Order Reference 6 37 22 044 01 5

**Twist cup brush**

Ø 65 mm, M 14



Order Reference 6 37 22 047 01 6

**Inner flange**



Order Reference 6 38 01 120 00 6

**Threaded flange**

M 14, for flexible grinding/cutting discs, fan-pattern grinding wheels and round brush

Order Reference 6 38 02 052 00 0

M 14, for elastic backing pad and for twisted steel wire brush



Order Reference 6 38 01 154 00 7