

## Take a balanced approach – with FEIN Balancers.

For more operating comfort and safety when working with power tools and heavy machines: the extension lengths of the FEIN Balancer give you a wide working radius and the infinitely adjustable loads range from 0.5 kg to 60 kg depending on which balancer you choose. Other advantages of the FEIN Balancer include constant traction, secure “weightless” suspension of the tool and power cable, compact design and ease of handling. Accessories such as the spiral cable, swivel hook and locking device further increase safety and comfort.





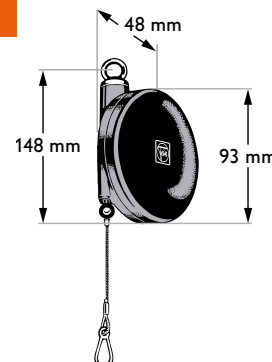
## Balancers, up to 2.5 kg load

Safe suspension of device and power line in "weightless" state.

Variable load kg	Factory setting kg	max. stroke m	Weight kg	Order Reference
0,5-1,5	1	0,9	0,35	9 08 01 012 00 8
1,5-2,5	1	0,9	0,35	9 08 01 023 00 1

### FEIN BENEFITS

- ▶ Small size.
- ▶ Constant traction.
- ▶ Easily adjustable.
- ▶ Spiral cordset available as accessory



For accessories, see page 277



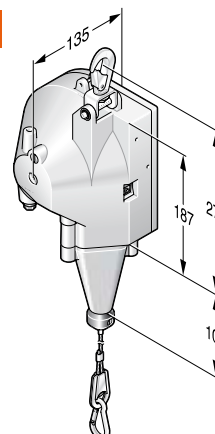
## Balancers, up to 17 kg load

Safe suspension of device and power line in "weightless" state.

Variable load kg	Factory setting kg	max. stroke m	Weight kg	Order Reference
1-3	2	2	3,2	9 08 01 024 00 9
2,5-5	3,5	2	3,2	9 08 01 025 00 3
3,5-6,5	5	2	3,2	9 08 01 026 00 6
4,5-9	7	2	3,2	9 08 01 027 00 0
7,5-11	9	2	3,2	9 08 01 028 00 8
10-14	12	2	3,2	9 08 01 029 00 2
13,5-17	15	2	3,2	9 08 01 030 00 4

### FEIN BENEFITS

- ▶ Constant traction.
- ▶ Spiral cordset available as accessory



For accessories, see page 277

## Balancers, up to 60 kg load

Safe suspension of device and power line in "weightless" state.

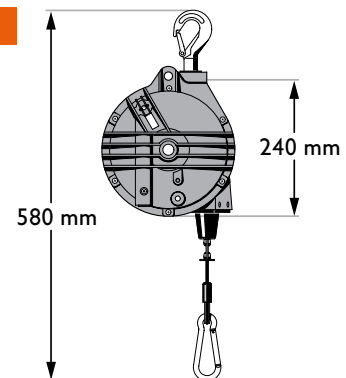


Variable load kg	Factory setting kg	max. stroke m	Weight kg	Order Reference
13-25	15	1,9	11,2	9 08 01 048 00 6
22-32	25	1,9	11,5	9 08 01 049 00 0
30-45	40	1,9	12	9 08 01 050 00 2
45-60	50	1,9	12,4	9 08 01 051 00 1

### FEIN BENEFITS

- ▶ Constant traction.
- ▶ Spiral cordset available as accessory

For accessories, see page 277



**General accessories****Spiral cordset**

for electric tools with mains  
connection cables of quality  
HO 5 RN-F 2x1.



Order Reference 3 07 07 157 01 3

9 08 01 048 00 6,  
9 08 01 049 00 0,  
9 08 01 050 00 2,  
9 08 01 051 00 1

**Locking device**

for locking the extended cable. eases  
the exchange of the hooked on tool.



Order Reference 3 02 40 239 01 4

**Swivel hook**

to hook on the rope eye. Prevents the  
rope from twisting.



Order Reference 3 02 32 044 01 0