

Specialists in tight spots: FEIN angle drills.

The FEIN angle drill with kinetic handle and the FEIN rod-shaped angle drill – with low gearing heads and small widths across corners, these two FEIN specialists make light work of drilling in locations other drills can't reach. With a powerful motor, continuously variable electronic speed control and integrated reversible rotation, they produce optimum drilling results. The FEIN angle drills – practical solutions for difficult-to-reach places.





Angle drill up to 8 mm

ASzxeu 636-1

Extremely small angle drill for working in difficult-to-reach areas.

Technical data		
Model	ASzxeu 636-1	
Input	W	300
Output	W	145
Speed, full load	R.P.M	0-880
Speed, no load	R.P.M	0-1590
Cable with plug	m	5
Weight	kg	1,45
Capacity in steel Ø	mm	8
Capacity in alu Ø	mm	12
Capacity in wood Ø	mm	20
Cone at drill shaft		B 10
Order Reference	7 205 34	

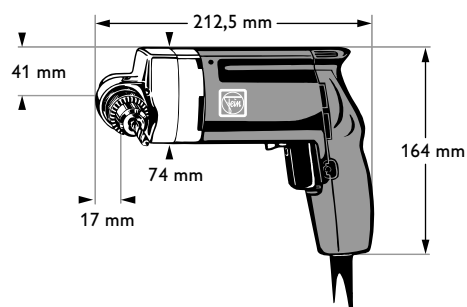
Included in price

1 3-jaw chuck up to Ø 10 mm

FEIN BENEFITS

- ▶ High torque, high power motor for steady drilling progress.
- ▶ Barrel-type motor housing with integrated aluminium support for superb service life.
- ▶ Robust design with metal gearing head for maximum operating demands.
- ▶ Reversible.
- ▶ Infinitely variable electronic speed setting.
- ▶ Tapered drill shaft.
- ▶ High-quality key-type drill chuck.
- ▶ FEIN kinetic handle.
- ▶ Small width across corners of 17 mm.
- ▶ Small gearing head height of 8 mm.
- ▶ Available only in 230 V

For accessories, see page 50





Angle drill up to 15 mm

ASzx 648-1

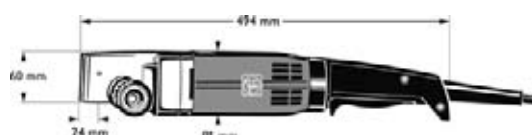
High-performance rod-shaped angle drill for working in difficult-to-reach areas.

Technical data		
Model	ASzx 648-1	
Input	W	740
Output	W	460
Speed, full load	R.P.M	360
Speed, no load	R.P.M	600
Cable with plug	m	2,5
Weight	kg	3,60
Capacity in steel Ø	mm	15
Capacity in alu Ø	mm	19
Cone at drill shaft	MK 1	
Order Reference	7 203 04	
Included in price		
1 additional handle		

FEIN BENEFITS

- ▶ High torque, high power motor for steady drilling progress.
- ▶ MT 1 holder for universal tool use with high concentricity for optimum results.
- ▶ Extremely compact drive head for varied applications.
- ▶ Barrel-type motor housing with integrated aluminium support.
- ▶ Small width across corners
- ▶ Superb service life.
- ▶ Feed force can be applied via clamping cross if required.
- ▶ Available only in 230 V

For accessories, see page 50



ASzxeu 636-1

tool case

Plastic, 450 x 310 x 135 mm



Order Reference 3 39 01 118 01 0

Plastic box

Box insert with lockable lid for small parts and accessories, suitable for tool box 3 39 01 118 01 0, max 5 items/box.

Order Reference 3 39 01 119 00 0

Key-type drill chuck

Drill chuck holder B 10



Chuck opening Weight		
mm	kg	Order Reference
0,8-10	0,22	6 32 02 044 01 8

Drifts

for drill chuck up to B12, length 125 mm, pack of 2



Order Reference 6 33 05 009 01 3

ASzx 648-1

tool case

metal 700 x 180 x 100 mm



Order Reference 3 39 01 021 01 1

Morse taper arbor

for drilling machines with morse taper arbor



Mount	Weight	Order Reference
	kg	
MK 1/B 16	0,10	6 33 01 006 00 5

Key-type drill chuck

Drill chuck holder B 16



Chuck opening Weight		
mm	kg	Order Reference
1-10	0,44	6 32 02 004 01 2
1,5-13	0,41	6 32 02 030 01 5



Chuck opening Weight		
mm	kg	Order Reference
1-16	0,64	6 32 02 037 01 0

Quick-action chuck

Drill chuck holder B 16 form R tip



Chuck opening Weight		
mm	kg	Order Reference
0-10	0,61	6 32 04 016 00 7
1-13	0,88	6 32 04 017 00 1
3-16	1,14	6 32 04 025 00 3

R shaped tip with chucking force safety device



Chuck opening Weight		
mm	kg	Order Reference
1,5-13	0,27	6 32 04 036 00 5
1-13	0,56	6 32 04 032 00 6
1,5-13	0,15	6 32 04 035 00 2

Feed screw

105-150 mm



Order Reference 3 21 33 012 01 8

Key-type drill chucks



Fits model	Chuck opening (mm)	Weight (kg)	Outer Ø (mm)	Drill chuck holder	Pressure thread	Chucking force safety device	Part number
ASy 630, ASYe 636, ASkeu 636, ASke 636, DSkeu 636, DSke 636	0.5–8	0.24	35	B 12	M 8		6 32 02 003 01 4
	0.8–10	0.23	35	B 12			6 32 02 028 01 9
	0.5–6.5	0.16	30	B 12	M 6		6 32 02 031 01 4
DSeu 638, ASze 648 a, ASz 648 a, DSe 648, DS 648, DSke 658-1, DSk 658-1, DSke 672, DDSk 672-1, DDSk 672, ASzx 648-1	1.5–13	0.38	43	B 12			6 32 02 040 01 4
	1–10	0.44	43	B 16	M 10		6 32 02 004 01 2
	1.5–13	0.41	43	B 16	M 10		6 32 02 030 01 5
DSke 658-1, DSk 658-1, DSke 672, DDSk 672-1, DDSk 672	1–16	0.64	56	B 16	–		6 32 02 037 01 0
	16	0.88	56	B 18			6 32 02 006 01 9
ASq 672-1	5–20	1.55	75	B 22	–		6 32 02 022 01 8
DSceu 638	1–10	0.30	38	½"–20 UNF			6 32 03 034 01 0
	1.5–13	0.38	43	½"–20 UNF			6 32 03 041 01 4
ASzxeu 636-1	0.5–8	0.14	30	B 10	M 6		6 32 02 043 01 0
	0.8–10	0.22	33	B 10	M 8		6 32 02 044 01 8
Accessories on request	1–10	0.18	33	¾"–24 UNF		●	6 32 03 047 01 0
	3–16	0.64	50	M 18 × 6 P 2.5		●	6 32 03 033 01 2
	1.5–13	0.50	45.5	M 18 × 6 P 1.5			6 32 03 050 01 4

Quick-action chucks



Fits model	Chuck opening (mm)	Weight (kg)	Outer Ø (mm)	Drill chuck holder	Chucking force safety device	Part number
ASy 630, ASYe 636, ASkeu 636, ASke 636, DSkeu 636, DSke 636	0–6.5	0.30	35	B 12		6 32 04 019 00 3
	0–8	0.39	36	B 12		6 32 04 020 00 5
	0.5–10	0.39	36	B 12		6 32 04 021 00 4
	1–13	0.62	42.5	B 12		6 32 04 028 00 8
	0.5–10	0.42	40	B 12	●	6 32 04 030 00 4
	1–10	0.20	42.5	B 12	●	6 32 04 034 00 8
DSeu 638, ASze 648 a, ASz 648 a, DSe 648, DS 648, DSke 658-1, DSk 658-1, DSke 672, DDSk 672-1, DDSk 672, ASzx 648-1	0–10	0.61	42.5	B 16		6 32 04 016 00 7
	1–13	0.88	46	B 16		6 32 04 017 00 1
	3–16	1.14	51	B 16		6 32 04 025 00 3
	1–13	0.56	42.5	B 16	●	6 32 04 032 00 6
	1.5–13	0.15	43	B 16	●	6 32 04 035 00 2
	1.5–13	0.27	42.5	B 16	●	6 32 04 036 00 5
DSceu 638	1–13	0.54	42.8	½"–20 UNF		6 32 05 033 01 0
Accessories on request	6.5	0.30	34	B 10		6 32 04 008 00 0

Further accessories

Drifts



for drill chuck up to B12,
length 125 mm, pack of 2

Part number 6 33 05 009 01 3

for drill chuck up to B16

Length 125 mm, pack of 2

Bestellnummer 6 33 05 010 01 5

Drift keys



for M.T. 1 and M.T. 2

Part number 6 33 05 003 00 3

for M.T. 3 and M.T. 4

Part number 6 33 05 004 00 1

Morse taper arbors

for drilling machines with morse taper arbor



Mount Weight Part number

MK 2/B 16 0.13 6 33 01 008 00 7

MK 2/B 18 0.20 6 33 01 010 00 3

MK 2/M 14 0.13 6 33 01 021 00 1

MK 3/B 16 0.30 6 33 01 012 00 5

MK 3/B 18 0.25 6 33 01 013 00 9

MK 3/B 22 0.40 6 33 01 014 00 7

MK 4/B 22 0.50 6 33 01 016 00 4

MK 1/B 16 0.10 6 33 01 006 00 5

Reducing sleeves

for M.T. sockets



Mount Weight Part number

MK 2/MK 1 0.10 6 33 02 002 00 0

MK 3/MK 2 0.18 6 33 02 003 00 4

MK 4/MK 3 0.35 6 33 02 004 00 2

Enlargement tapers

for M.T. sockets



Mount Weight Part number

MK 2/MK 3 0.55 6 33 04 003 00 2

MK 3/MK 4 1.40 6 33 04 004 00 0